

MODEL NO.	D
DC-028	φ2
DC-028(2.5)	φ2.5
DC-028(3.0)	φ3

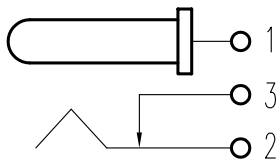
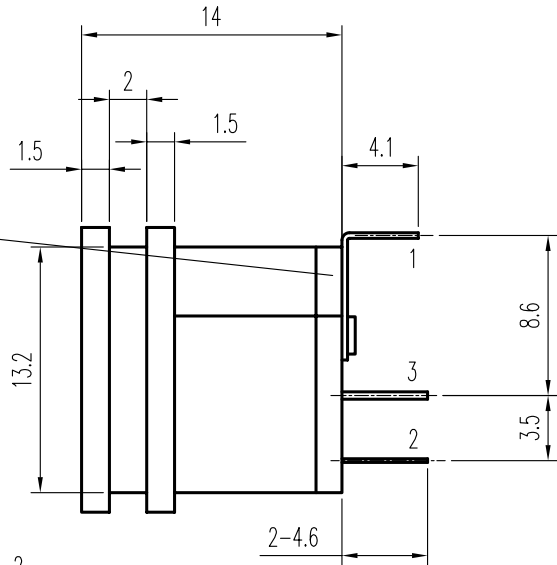
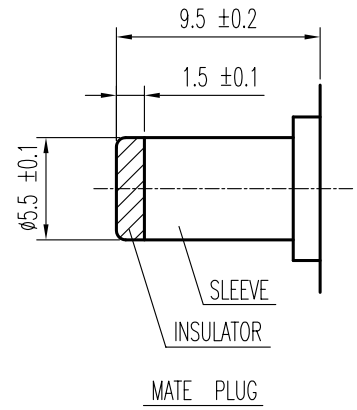
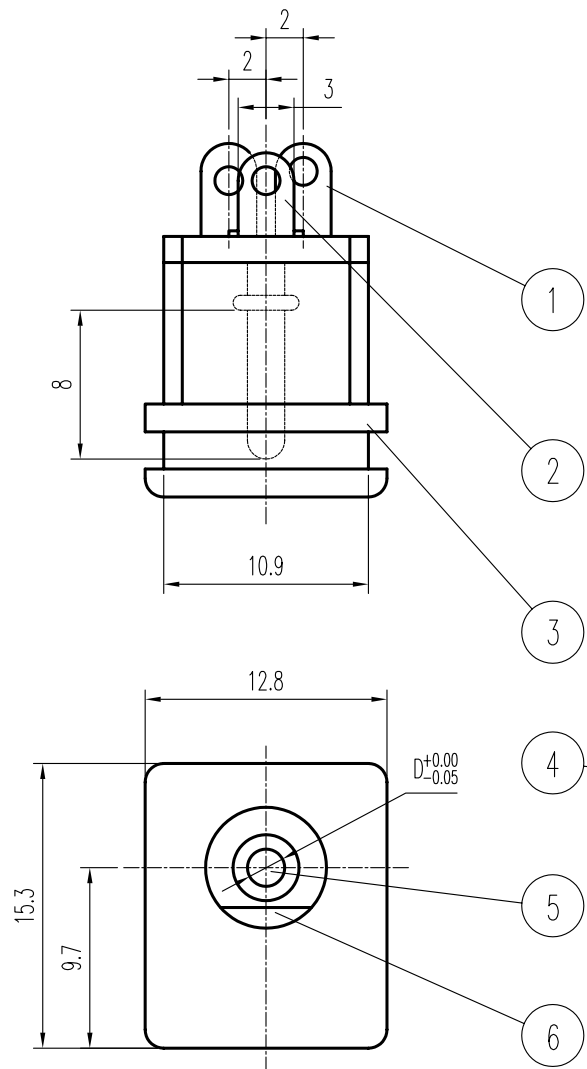
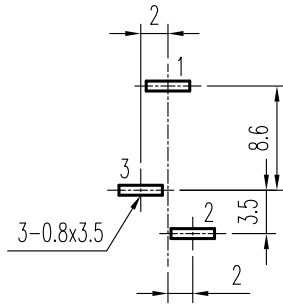


示意图 SCHEMATIC



安装孔 PIERCING PLAN

规格 Specifications

额定负荷 Rdtngs	DC 12 V 1.0 A	
初期接触电阻 Initial Contact Resistance	30 mΩ Max.	
绝缘电阻 Insulation Resistance	DC 500V 60 Sec 100 MΩ Min.	
抗电强度 Dielectric	AC 500 V(50~60HZ) 60 Sec.	
操作力	插入力 Insertion force	0.2—3.0 Kgf
操作力	拔出力 Extraction force	0.2—3.0 Kgf
负荷寿命	Operating Life With Load	5000 次 Cycles

①

序NO.	零件 PART	材料 MATERIAL	数量 QTY	备注 REMARKS	DWG NO.	ITEM1925
6	SLEEVE TERMINAL	C5210	1	Ag PLATED		
5	PIN	C3602	1	Ni PLATED		
4	TERMINAL BASE	PBT	1	BLACK	A01	修改零件列表见①
3	HOUSING	PBT	1	BLACK		增加规格栏见①
2	PIN TERMINAL	C2680	1	Ag PLATED	02	
1	BREAK TERMINAL	C2680	1	Ag PLATED	标号 REV	内容 DESCRIPTION
					签名 SIGN.	日期 DATE

TOLERANCES UNLESS OTHERWISE SPEC.		TITLE	DC POWER JACK		ITEM NO	DC-028	
UNDER 1	± 0.10	DRAWN	曹文斌	06-04-14	VERSION	A01	PAGE 1 OF 1
1 - 10	± 0.30	REVIEWED	张念明	06-04-14	SCALE		UNIT mm
OVER 10	± 0.50	APPROVED	林高全	06-04-15	PROJECTION		

COMAX ELECTRONICS (HUIZHOU) CO.,LTD.