

MODEL NO.	D
DC-037	φ1
DC-037(1.3)	φ1.3

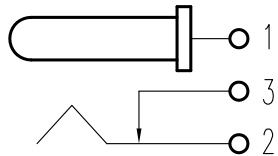
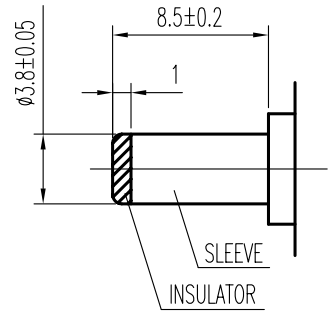
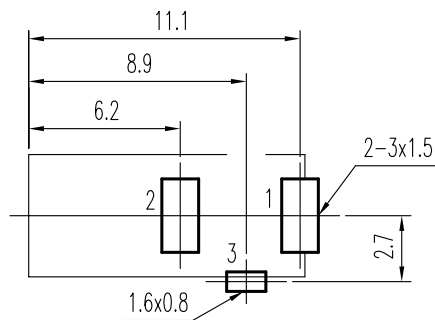


示意图 SCHEMATIC



安装孔 PIERCING PLAN

① 规格 Specifications

额定负荷 Ratings	DC 12_V 1.0_A
初期接触电阻 Initial Contact Resistance	30_mΩ Max.
绝缘阻抗 Insulation Resistance	DC500_V 60_Sec 100_MΩ Min.
抗电强度 Dielectric Voltage	AC 500_V(50~60HZ) 60_Sec.

操作力	插入力 Insertion force	0.2—3.0_Kgf
Operating Force	拔出力 Extraction force	0.2—3.0_Kgf
负荷寿命	Operating Life With Load	5,000_次 Cycles

6	PIN TERMINAL	C2680	1	Ag PLATED
5	SLEEVE TERMINAL	SUS 304	1	Ag PLATED
4	BREAK TERMINAL	C2680	1	Ag PLATED
3	P I N	C3602	1	Ni PLATED
2	HOUSING	PBT	1	BLACK C
1	COVER	PBT	1	BLACK C

A01	ADD: 规格 Specifications 见 ①	王光云	06-06-07
01	修改零件列表 见 ①	赖立辉	1 APR 01
标号 REV	内容 DESCRIPTION	签名 SIGN.	日期 DATE

序NO.	零件 PART	材料 MATERIAL	数量 QTY	备注 REMARKS
------	---------	-------------	--------	------------

DWG NO. ITEM1926

TOLERANCES UNLESS OTHERWISE SPEC.		TITLE	DC POWER JACK		ITEM NO	DC-037		
UNDER 1	± 0.10	DRAWN	王光云	06-06-07	VERSION	A01	PAGE	1 OF 1
1 - 10	± 0.30	REVIEWED	张念明	06-06-07	SCALE		UNIT	mm
OVER 10	± 0.50	APPROVED	高洪	06-06-08	PROJECTION			

**COMAX** ELECTRONICS (HUIZHOU) CO.,LTD.