

MODEL NO.	D
DC-038 (1.0)	$\phi 1$
DC-038 (1.3)	$\phi 1.3$

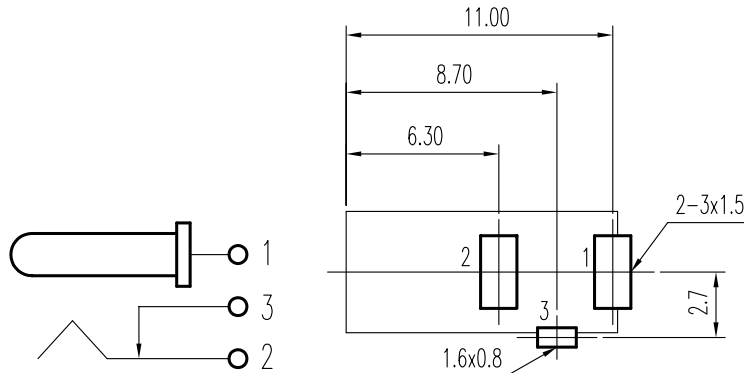
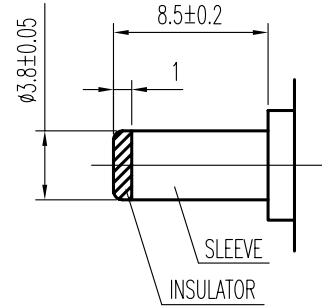


示意图 SCHEMATIC

安装孔 PIERCING PLAN

规格 Specifications

额定负荷 Ratings	DC 12_V 1.0_A
初期接触阻抗 Initial Contact Resistance	30_m $\Omega$ Max.
绝缘阻抗 Insulation Resistance	DC 500_V 60_Sec. 100_M $\Omega$ Min.
抗电强度 Dielectric Voltage	AC 500_V (50~60HZ) 60_Sec.

操作力	插入力 Insertion force	0.2—3.0_Kgf
Operating Force	拔出力 Extraction force	0.2—3.0_Kgf
负荷寿命	Operating Life With Load	5,000_次 Cycles

6	PIN TERMINAL	C2680	1	Ag PLATED
5	SLEEVE TERMINAL	SUS	1	Ag PLATED
4	BREAK TERMINAL	C2680	1	Ag PLATED
3	P I N	C3602	1	Ni PLATED
2	HOUSING	PBT	1	BLACK C
1	COVER	NYLON+G	1	BLACK C
序NO.	零件 PART	材料 MATERIAL	数量 QTY	备注 REMARKS

A01	ADD: 规格 Specifications 见 ①	王光云	06-06-03
01	修改零件列表 见 ①	赖立辉	1 APR 01
标号 REV	内容 DESCRIPTION	签名 SIGN.	日期 DATE
DWG NO. ITEM1927			

TOLERANCES UNLESS OTHERWISE SPEC.		TITLE	DC POWER JACK		ITEM NO	DC-038	
UNDER 1	$\pm 0.10$	DRAWN	王光云	06-06-03	VERSION	A01	PAGE 1 OF 1
1 - 10	$\pm 0.30$	REVIEWED	张念明	06-06-03	SCALE		UNIT mm
OVER 10	$\pm 0.50$	APPROVED	高洪	06-06-03	PROJECTION		

**COMAX** ELECTRONICS (HUIZHOU) CO.,LTD.