

SPECIFICATION SPC-3651(Version 01)

Item Name : DC POWER JACK

Item No. : DC-041 (2.0)

1. Rated voltage and current : DC 12 V , 1.0 A

2. Function :

3. Timing :

4. Electrical

performance	Test conditions	Performance
4.1 Contact resistance	Being measured at 1KHz \pm 200 Hz at no load.	Max. 50 m Ω
4.2 Insulation resistance	Being measured with an insulation measuring device of DC 500V between any open terminals and between the terminal and the frame for 1 minute \pm 5 seconds.	Min. 100 M Ω
4.3 Dielectric strength	Withstand AC 500V (50-60Hz) for 1 minute being applied between any open terminals and between the terminal and the frame.	Not breaking insulation

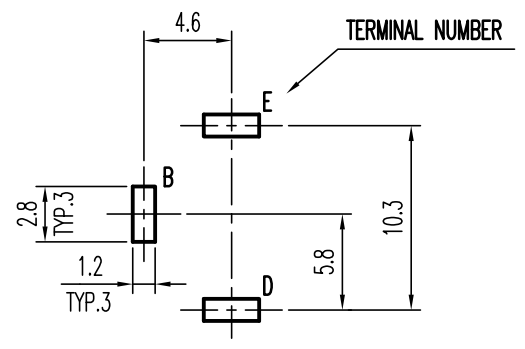
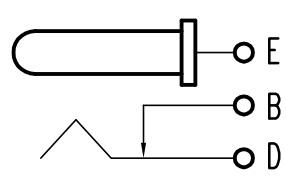
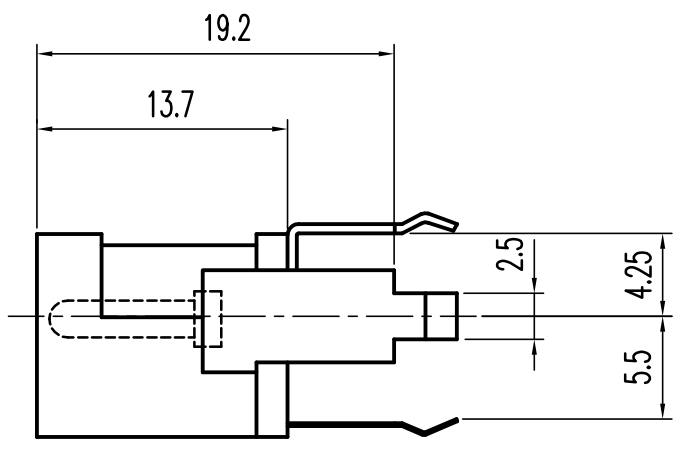
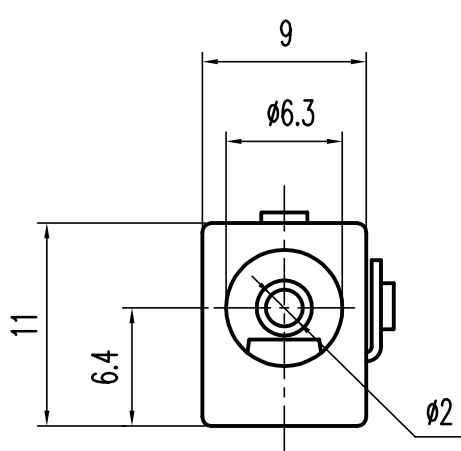
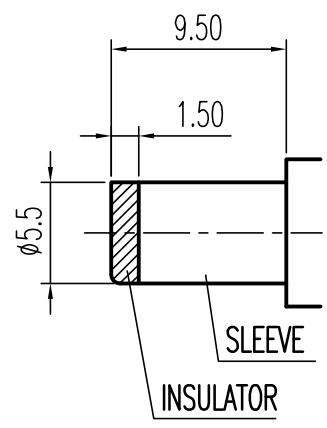
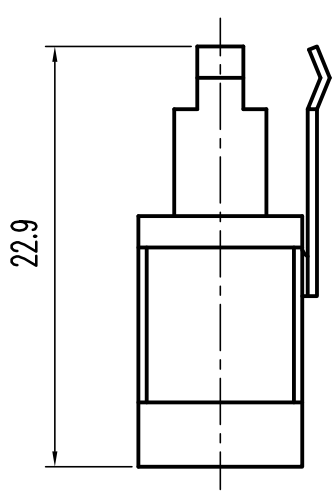
5. Mechanical

performance	Test conditions	Performance
5.1 Operating force	Insertion force Extraction force	0.4-3.0 kgf. 0.4-3.0 kgf.
5.2 Terminal strength	A static force of 500gf being applied in one direction on the tip of the terminal for 10 seconds.	The terminal may be deformed, but shall not sustain any trouble as deviation and breaking of terminal, and breaking of insulation material. Electrical performance of the above 4 shall be assured.

6. Durability :

	Test conditions	Performance
Operating life	5,000 cycles operating at a rate of 25-30 cycles per minute, with the mate plug and without load.	(1) Contact resistance : Max. 60 m Ω (2) Insulation resistance : Min. 100 M Ω (3) Withstand voltage : AC 250V, 1 minute, not breaking insulation. (4) Operating force : -30% or less of initial value. (5) There shall be no defects in appearance or in the mechanical functions.

7. Solderability : 230 \pm 5 $^{\circ}$ C , 3 \pm 0.5 second.8. Practical temperature range : -15 $^{\circ}$ C --- +50 $^{\circ}$ C.



SCHMATIC

TC18-041-02

PIERCING PLAN

5	TERMINAL								
4	TERMINAL								
3	PIN								
2	HOUSING								
1	COVER								
					REV	DESCRIPTION	SIGN.	DATE	
NO	PART	MATERIAL	QTY	REMARKS	VERSION 01	DWG NO.	ITEM2166		

TOLERANCES UNLESS OTHERWISE SPEC.		TITLE	DC POWER JACK	ITEM NO.	DC-041 (2.0)				
UNDER 1	± 0.10	DRAWN	H . X . X I E	26 SEP 02	SCALE	3 : 1	UNIT	mm	
1 - 10	± 0.30	APPROVED			PROJECTION				
OVER 10	± 0.50								

COMAX INDUSTRIAL CO., LTD.