

SPECIFICATION SPC-3266 (versi on 01)

Item Name : DC SOCKET

Item No. : DC-049

1. Rated voltage and current : DC 12 V , 1.0 A

2. Function :

3. Timing :

4. Electrical

performance

	Test conditions	Performance
4.1 Contact resistance	Being measured at 1KHz \pm 200 Hz at no load.	Max. 50 m Ω
4.2 Insulation resistance	Being measured with an insulation measuring device of DC 500V between any open terminals and between the terminal and the frame for 1 minute \pm 5 seconds.	Min. 100 M Ω
4.3 Dielectric strength	Withstand AC 500V (50-60Hz) for 1 minute being applied between any open terminals and between the terminal and the frame.	Not breaking insulation

5. Mechanical

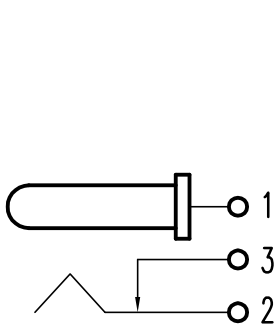
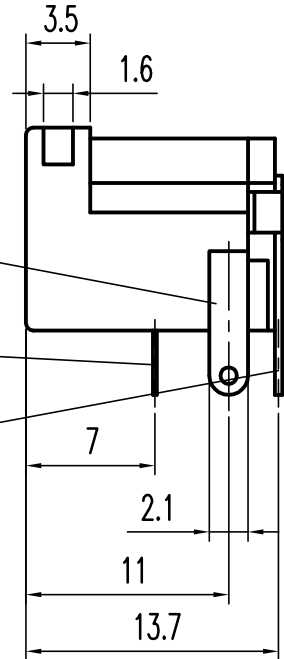
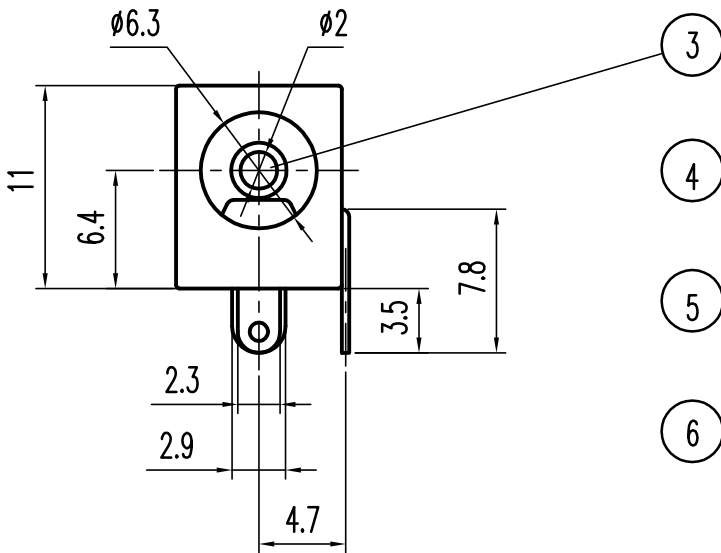
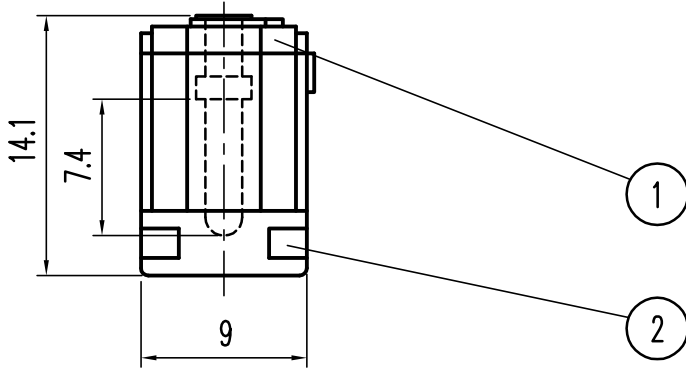
performance

	Test conditions	Performance
5.1 Operating force	Insertion force Extraction force	0.4-3.0 kgf. 0.4-3.0 kgf.
5.2 Terminal strength	A static force of 500gf being applied in one direction on the tip of the terminal for 10 seconds.	The terminal may be deformed, but shall not sustain any trouble as deviation and breaking of terminal, and breaking of insulation material. Electrical performance of the above 4 shall be assured.

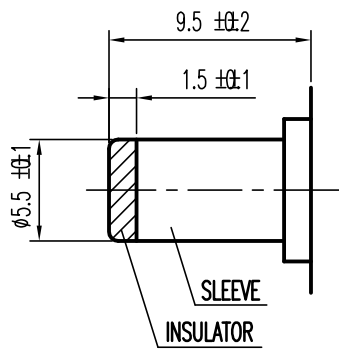
6. Durability :

	Test conditions	Performance
Operating life	5,000 cycles operating at a rate of 25-30 cycles per minute, with the mate plug and without load.	(1) Contact resistance : Max. 60 m Ω (2) Insulation resistance : Min. 100 M Ω (3) Withstand voltage : AC 250V, 1 minute, not breaking insulation. (4) Operating force : -30% or less of initial value. (5) There shall be no defects in appearance or in the mechanical functions.

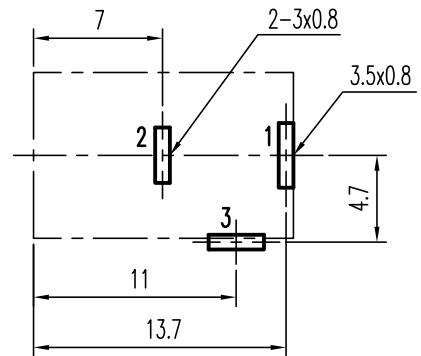
7. Solderability : 230 \pm 5 $^{\circ}$ C , 3 \pm 0.5 second.8. Practical temperature range : -15 $^{\circ}$ C --- +50 $^{\circ}$ C.



SCHMATIC



MATE PLUG



PIERCING PLAN

NO	PART	MATERIAL	QTY	REMARKS	VERSION 01	DESCRIPTION	SIGN.	DATE
6	PIN TERMINAL	BRONZE	1	Ag PLATED				
5	SLEEVE TERMINAL	ALLOY SPRING	1	Ag PLATED				
4	BREAK TERMINAL	BRONZE	1	Ag PLATED				
3	P I N	BRONZE BAR	1	Ni PLATED				
2	HOUSING	NYLON+G	1	NATURAL				
1	COVER	PHNEOLIC LAMINATE	1	NATURAL				
					REV	DESCRIPTION	SIGN.	DATE
					VERSION 01		DWG NO.	ITEM1928

TOLERANCES UNLESS OTHERWISE SPEC.

UNDER 1	± 0.10
1 - 10	± 0.30
OVER 10	± 0.50

TITLE	DC POWER JACK	ITEM NO.	DC-049
DRAWN	L. F. L A I	1 APR 01	SCALE 3 : 1
APPROVED			UNIT mm
			PROJECTION

COMAX INDUSTRIAL CO., LTD.