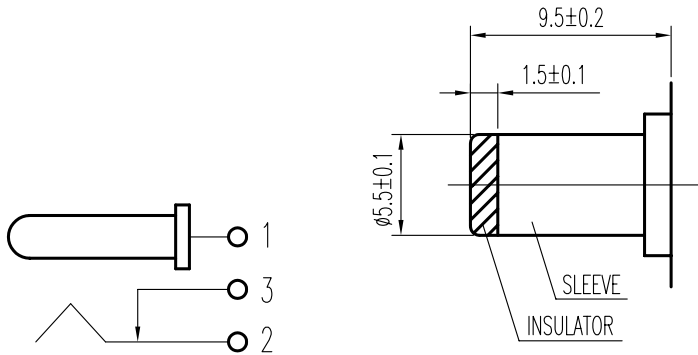
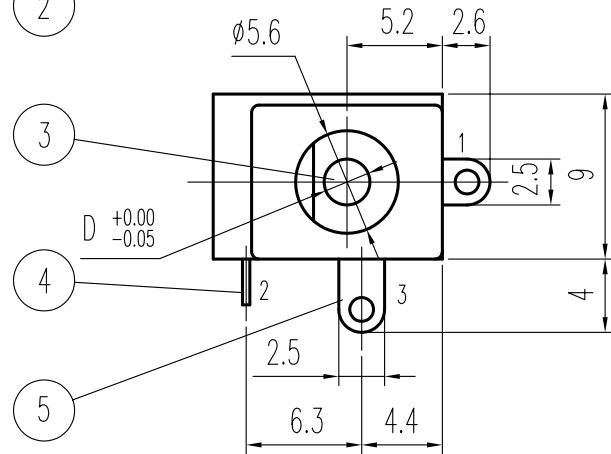
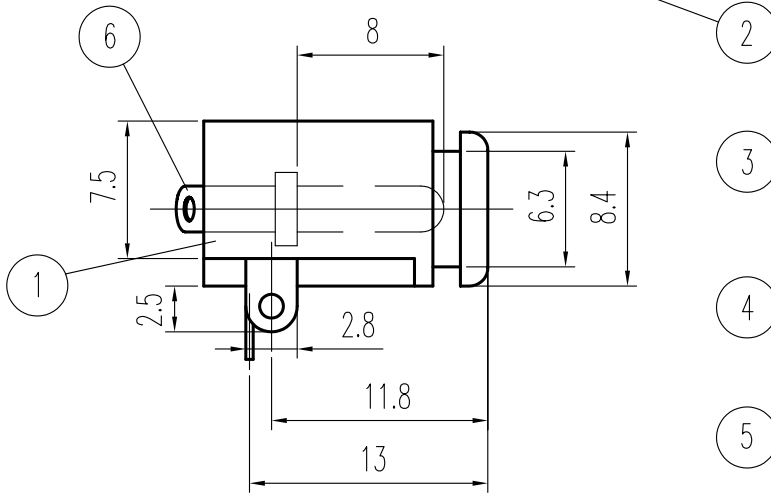


| | |
|---------------|-------|
| MODEL NO. | D |
| DC-087 (1.45) | φ1.45 |
| DC-087 (2.0) | φ2.0 |
| DC-087 (2.5) | φ2.5 |



① 规格 Specifications

| | |
|-----------------------------------|----------------------------|
| 额定负荷 Ratings | DC 12_V 1.0_A |
| 初期接触电阻 Initial Contact Resistance | 30_mΩ Max. |
| 绝缘阻抗 Insulation Resistance | DC500_V 60_Sec.100_MΩ Min. |
| 抗电强度 Dielectric Voltage | AC 500_V(50~60HZ) 60_Sec. |

| | | |
|-----------------|--------------------------|----------------|
| 操作力 | 插入力 Insertion force | 0.2—3.0_Kgf |
| Operating Force | 拔出力 Extraction force | 0.2—3.0_Kgf |
| 负荷寿命 | Operating Life With Load | 5,000_次 Cycles |

示意图 SCHEMATIC

MATE PLUG

| | | | | |
|------|-----------------|-------------|--------|------------|
| 6 | PIN TERMINAL | C2680 | 1 | Ag PLATED |
| 5 | SLEEVE TERMINAL | SUS 304 | 1 | Ag PLATED |
| 4 | BREAK TERMINAL | C2680 | 1 | Ag PLATED |
| 3 | P I N | C3602 | 1 | Ni PLATED |
| 2 | HOUSING | ABS | 1 | BLACK C |
| 1 | COVER | NYLON+G | 2 | NATURAL |
| 序NO. | 零件 PART | 材料 MATERIAL | 数量 QTY | 备注 REMARKS |

| | | | |
|------------------|--|----------|-----------|
| A01 | ADD: 规格 Specifications 见 ① 修改零件列表 见 ① | 王光云 | 06-06-08 |
| 02 | | 孙斌 | 29 APR 03 |
| 标号 REV | 内容 DESCRIPTION | 签名 SIGN. | 日期 DATE |
| DWG NO. ITEM2103 | | | |

| | | | | | | | | | |
|-----------------------------------|--------|----------|-----|---------------|------------|---------|------|--------|------|
| TOLERANCES UNLESS OTHERWISE SPEC. | | TITLE | | DC POWER JACK | | ITEM NO | | DC-087 | |
| UNDER 1 | ± 0.10 | DRAWN | 王光云 | 06-06-08 | VERSION | A01 | PAGE | 1 | OF 1 |
| 1 - 10 | ± 0.30 | REVIEWED | 张念明 | 06-06-08 | SCALE | | UNIT | mm | |
| OVER 10 | ± 0.50 | APPROVED | 高洪 | 06-06-12 | PROJECTION | | | | |

COMAX ELECTRONICS (HUIZHOU) CO.,LTD.