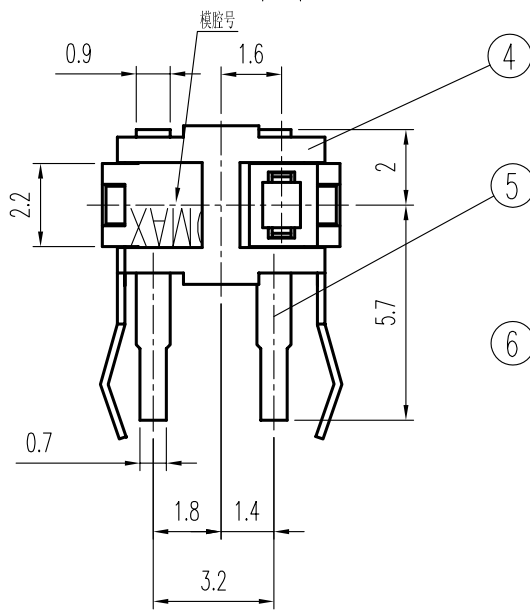
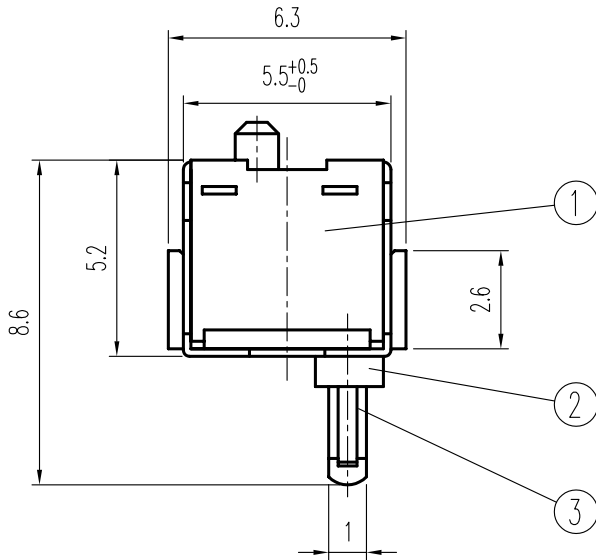


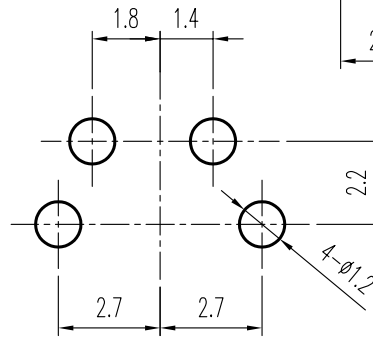
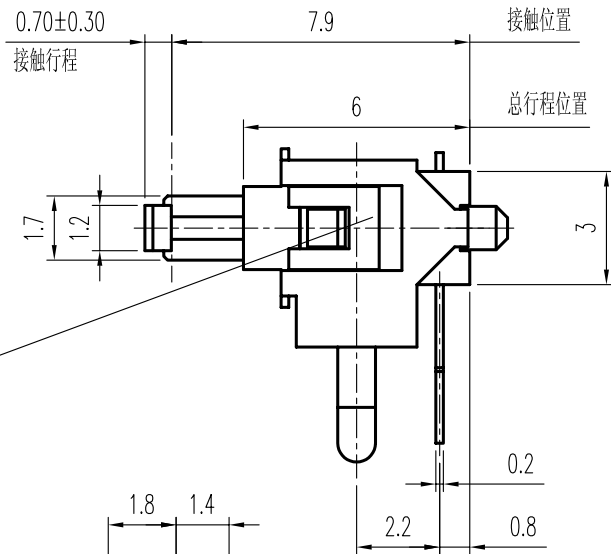
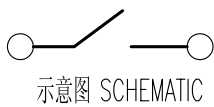
### 规格 Specifications

|                                   |                            |
|-----------------------------------|----------------------------|
| 额定负荷 Ratings                      | DC 30 V 100m A             |
| 初期接触电阻 Initial Contact Resistance | 1000 mΩ Max.               |
| 绝缘电阻 Insulation Resistance        | DC100 V.60 Sec.100 MΩ Min. |
| 抗电强度 Dielectric Voltage           | AC100 V(50~60HZ) 60 Sec.   |

|                                 |                  |
|---------------------------------|------------------|
| 操作力 Operating Force             | 50 gf Max        |
| ③ 负荷寿命 Operating Life With Load | 100,000 次 Cycles |



1P - 1T



安装孔 PIERCING PLAN

| 序号 NO. | 零件 PART     | 材料 MATERIAL | 数量 QTY | 备注 REMARKS | 标号 REV           | 内容 DESCRIPTION        | 签名 SIGN. | 日期 DATE  |
|--------|-------------|-------------|--------|------------|------------------|-----------------------|----------|----------|
| 6      | 弹簧 SPRING   | C5191W      | 1      | Au PLATED  |                  |                       |          |          |
| 5      | 端子 TERMINAL | C2680R      | 2      | Ag PLATED  | A04              | 负荷寿命5万次变更为10万次 修改见标注③ | 张学春      | 06-07-20 |
| 4      | 支架 BRACKET  | SPTe        | 1      | NATURAL    | A03              | 修改见标注①                | 曹文斌      | 06-03-21 |
| 3      | 胶柄 KNOB     | PA          | 1      | BLACK C    | A02              | 修改见标注②                | 曹文斌      | 23-05-05 |
| 2      | 胶盖 COVER    | PA          | 1      | BLACK C    | A01              |                       | 曹文斌      | 01-04-05 |
| 1      | 胶壳 HOUSING  | PA          | 1      | BLACK C    |                  |                       |          |          |
|        |             |             |        |            | 标号 REV           | 内容 DESCRIPTION        | 签名 SIGN. | 日期 DATE  |
|        |             |             |        |            | DWG NO. ITEM2490 |                       |          |          |

|                                   |        |          |                 |          |            |            |        |      |
|-----------------------------------|--------|----------|-----------------|----------|------------|------------|--------|------|
| TOLERANCES UNLESS OTHERWISE SPEC. |        | TITLE    | DETECTOR SWITCH |          | ITEM NO    | DS-02005-A |        |      |
| UNDER 1                           | ± 0.10 | DRAWN    | 张学春             | 06-07-20 | VERSION    | A04        | PAGE 1 | OF 1 |
| 1 - 10                            | ± 0.30 | REVIEWED | 张念明             | 06-07-20 | SCALE      | NO SCALE   | UNIT   | mm   |
| OVER 10                           | ± 0.50 | APPROVED | 林高全             | 06-07-20 | PROJECTION |            |        |      |

**COMAX** ELECTRONICS (HUIZHOU) CO.,LTD.