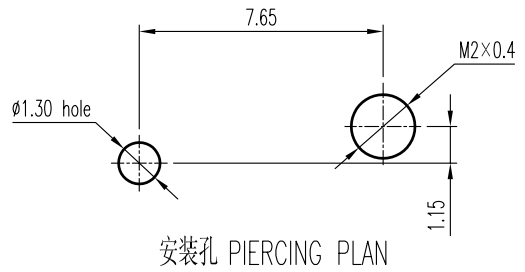
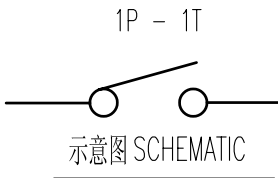
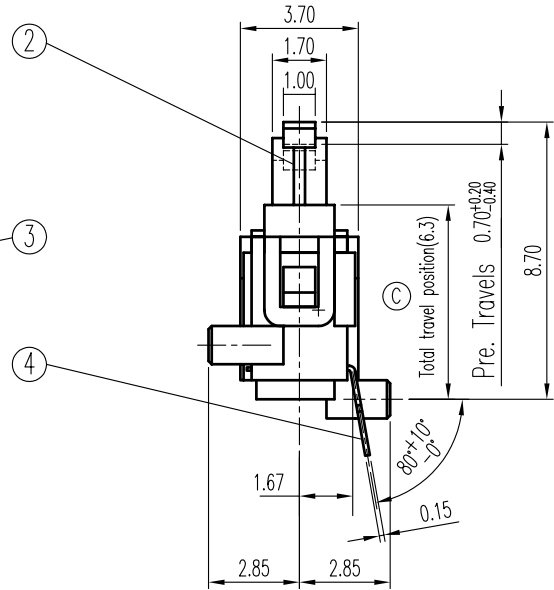
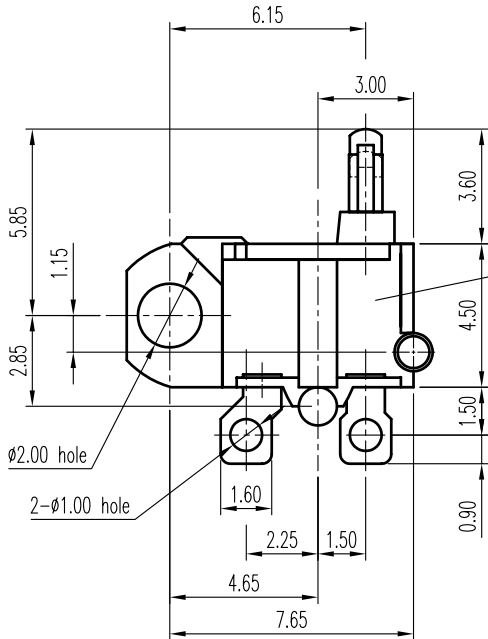
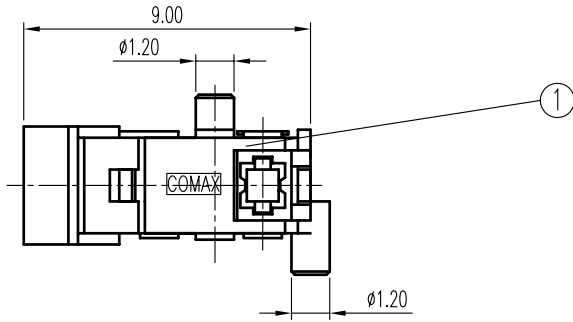


规格 Specifications

额定负荷 Ratings	DC 30 V 100m A
初期接触电阻 Initial Contact Resistance	1 Ω Max.
绝缘电阻 Insulation Resistance	DC250 V 60 Sec. 50 MΩ Min.
抗电强度 Dielectric Voltage	AC 250 V (50~60HZ) 60 Sec.

操作力 Operating Force	36 gf Max
负荷寿命 Operating Life With Load	50,000 次 Cycles
接触行程 Pre travel	0.70 ^{+0.20} _{-0.40} mm



5	弹簧	SPRING	C5191W	1	Au PLATED	A04	6.1 → 6.3 见 ㉞	郭先琼	2006/11/14
4	端子	TERMINAL	C5191R	2	Ag PLATED	A03	增加角度尺寸见 ㉞	王小东	06-06-21
3	胶壳	HOUSING	PA	1	BLACK C	A02	修改内容 见 ㉞	曹文斌	06-01-04
2	胶柄	KNOB	POM	1	BLACK C	A01		曹文斌	09-08-05
1	胶盖	COVER	PA	1	BLACK C				
序NO.	零件 PART	材料 MATERIAL	数量 QTY	备注 REMARKS	标号 REV	内容 DESCRIPTION	签名 SIGN.	日期 DATE	
DWG NO. ITEM2463									

TOLERANCES UNLESS OTHERWISE SPEC.		TITLE	DETECTOR SWITCH		ITEM NO	DS-203-A		
UNDER 1	± 0.10	DRAWN	郭先琼	2006/11/14	VERSION	A04	PAGE	1 OF 1
1 - 10	± 0.30	REVIEWED	张念明	2006/11/14	SCALE	NO SCALE	UNIT	mm
OVER 10	± 0.50	APPROVED	刘瑞富	2006/11/14	PROJECTION			

COMAX ELECTRONICS (HUIZHOU) CO.,LTD.