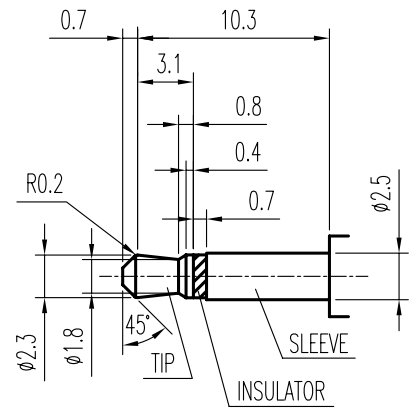
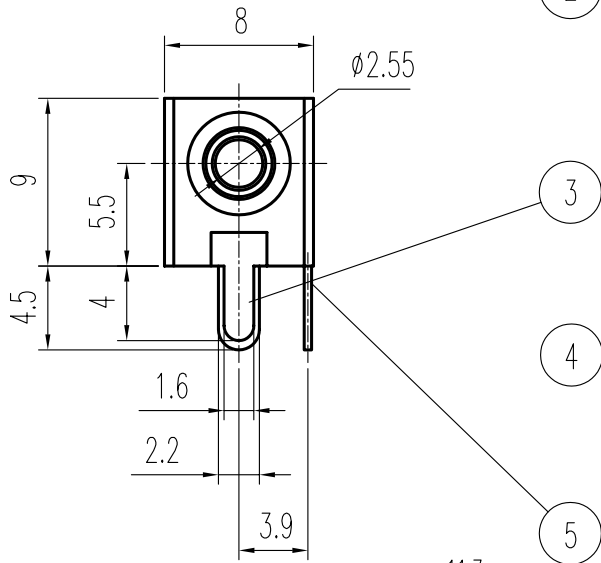


1



MATE PLUG



2

3

4

5

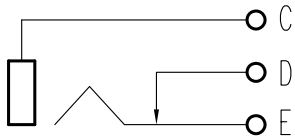
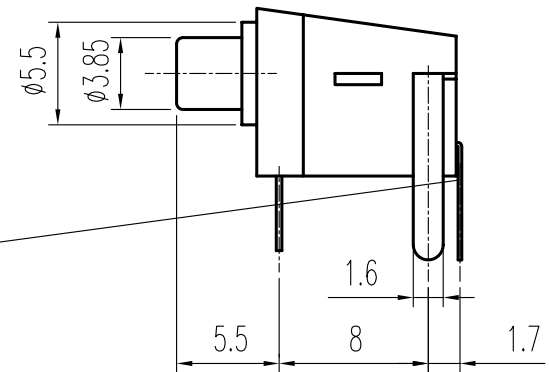
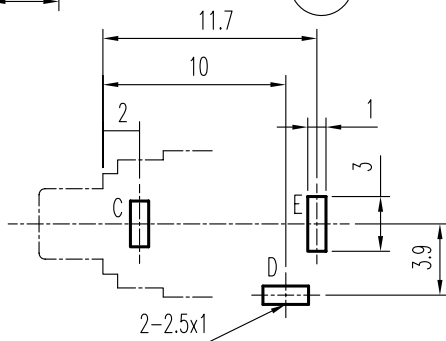


示意图 SCHEMATIC



安装孔 PIERCING PLAN

Ⓐ

Ⓐ 规格 Specifications

额定负荷 Ratings	DC 12 V 1.0 A
初期接触电阻 Initial Contact Resistance	30 mΩ Max.
绝缘阻抗 Insulation Resistance	DC500 V 60 Sec 100 MΩ Min.
抗电强度 Dielectric Voltage	AC 500 V (50~60HZ) 60 Sec.
操作力	插入力 Insertion force 0.3 — 3.0 Kgf
Operating Force	拔出力 Extraction force 0.3 — 3.0 Kgf
负荷寿命	5,000 次 Cycles
Operating Life With Load	

5	BREAK TERMINAL	C2680	1	Ag PLATED				
4	TIP TERMINAL	C5210	1	Ag PLATED	A01	ADD: 规格 Specifications 见 Ⓐ 修改零件列表 见 Ⓐ		
3	EARTH TERMINAL	C2680	1	Ag PLATED			曹文斌	06-07-05
2	RING	C3602	1	Ni PLATED	01		赖立辉	1 APR 01
1	HOUSING	ABS	1	BLACK C	标号 REV	内容 DESCRIPTION	签名 SIGN.	日期 DATE
序 NO.	零件 PART	材料 MATERIAL	数量 QTY	备注 REMARKS	DWG NO. ITEM1931			

TOLERANCES UNLESS OTHERWISE SPEC.		TITLE	EAR PHONE JACKS		ITEM NO	EJ-2503		
UNDER 1	± 0.10	DRAWN	曹文斌	06-07-05	VERSION	A01	PAGE	1 OF 1
1 - 10	± 0.30	REVIEWED	张念明	06-07-05	SCALE		UNIT	mm
OVER 10	± 0.50	APPROVED	林高全	06-07-06	PROJECTION			

**COMAX** ELECTRONICS (HUIZHOU) CO.,LTD.