

㉑ 规格 Specifications

额定负荷 Ratings	DC 12 V 1.0 A
初期接触电阻 Initial Contact Resistance	50 mΩ Max.
绝缘电阻 Insulation Resistance	DC 500V 60 Sec. 100 MΩ Min.
抗电强度 Dielectric	AC 500 V(50~60HZ) 60 Sec.

操作力 Operating Force	插入力(Insertion Force)	0.4-3.0 Kgf
	拔出力(Extraction Force)	0.4-3.0 Kgf
负荷寿命 Operating Life With Load		5,000 次 Cycles

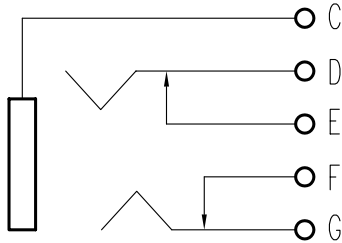
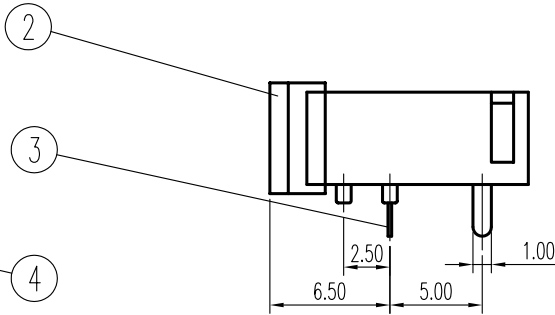
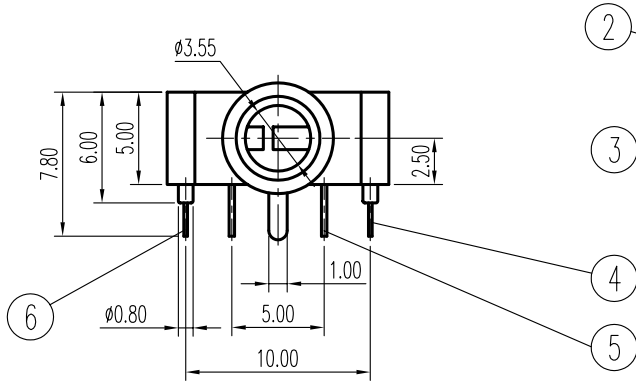
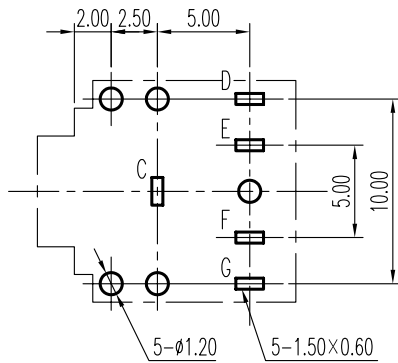
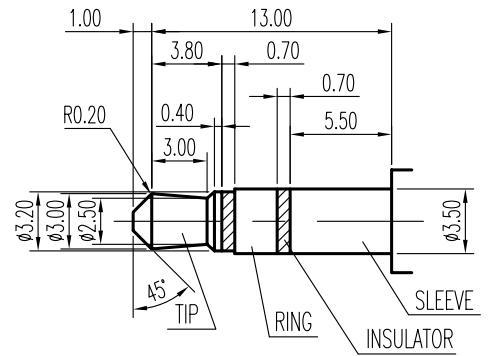


示意图 SCHEMATIC



安装孔 PIERCING PLAN



MATE PLUG

6	RING TERMINAL	C5210 ㉑	1	Ag PLATED	A01	机械寿命变更负荷寿命见 ㉑ 增加规格栏及额定负荷值见 ㉑ 材料变更见 ㉑	曹文斌	06-03-20
5	BREAK TERMINAL	C2680 ㉑	2	Ag PLATED				
4	TIP TERMINAL	C5210 ㉑	1	Ag PLATED				
3	EARTH TERMINAL	C5210 ㉑	1	Ag PLATED				
2	RING	C3602 ㉑	1	Ni PLATED	01		赖立辉	1 APR 01
1	HOUSING	PBT	1	BLACK C	标号 REV	内容 DESCRIPTION	签名 SIGN.	日期 DATE
序NO.	零件 PART	材料 MATERIAL	数量 QTY	备注 REMARKS	DWG NO. ITEM1939			

TOLERANCES UNLESS OTHERWISE SPEC.		TITLE	EARPHONE JACKS		ITEM NO	EJ-3507		
UNDER 1	± 0.10	DRAWN	曹文斌	06-03-20	VERSION	A01	PAGE 1	OF 1
1 - 10	± 0.30	REVIEWED	张念明	06-03-20	SCALE	NO SCALE	UNIT	mm
OVER 10	± 0.50	APPROVED	林高全	06-03-22	PROJECTION			

COMAX ELECTRONICS (HUIZHOU) CO.,LTD.