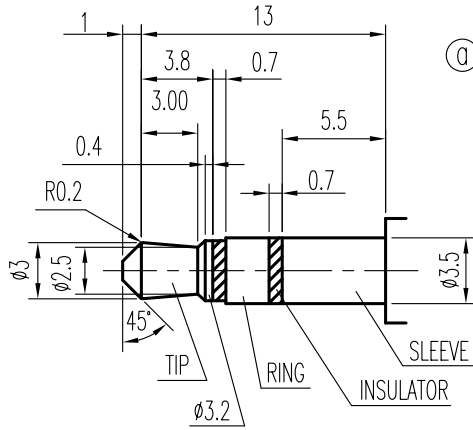
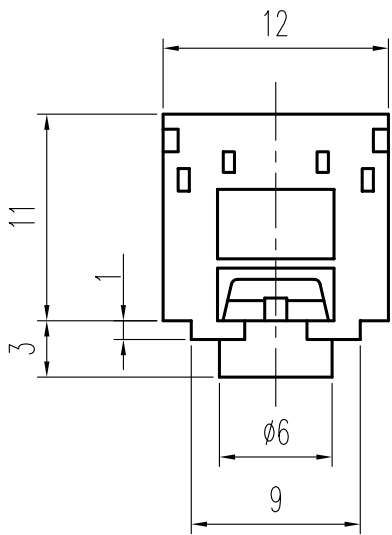
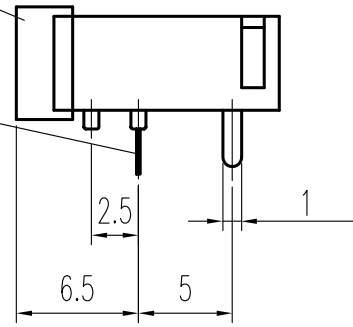
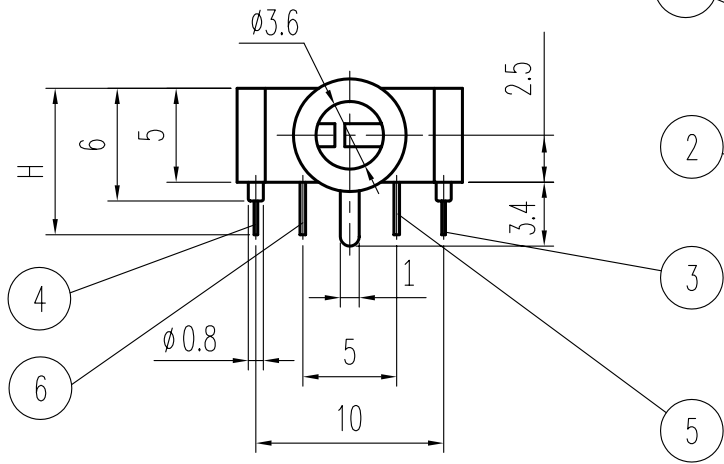


H	HOUSING COLOR	ITEM NO
7.8	BLACK	EJ-3561
7.8	GREEN	EJ-3561-02



配套插头 MATE PLUG



规格 Specifications

① 额定负荷 Ratings	DC 12 V 1.0 A
初期接触电阻 Initial Contact Resistance	30 mΩ Max. (b)
绝缘电阻 Insulation Resistance	DC 500V 60 Sec 100 MΩ Min.
抗电强度 Dielectric	AC 500V (50~60Hz) 60 Sec.
② 操作力 Operating Force	插入力 (Insertion Force) 0.3-3.0 Kgf
	拔出力 (Extraction Force) 0.3-3.0 Kgf
③ 负荷寿命 Operating Life With Load	5000 次 Cycles

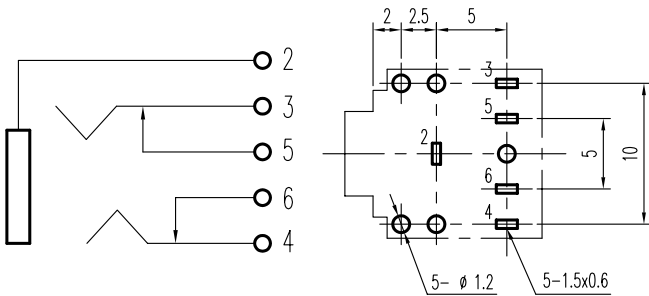


示意图 SCHEMATIC

安装孔 PIERCING PLAN

A01	机械寿命 → 负荷寿命 见标注 (b)	蔡维	06-03-23
	SILVER → Ag PLATED 见标注 (b)		
	PHOSPHOR BRONZE → C5210 见标注 (b)		
	BRASS → C2680 见标注 (b)		
	初期接触电阻 50mΩ Max. → 30mΩ Max. 见标注 (b)		
	插拔力 0.4-3.0Kgf → 0.3-3.0 Kgf 见标注 (b)		
	增加额定负荷: DC 12 V 1.0 A		
02	增加: EJ-3561-02 见标注 (a)	蔡维	12-03-05
标号 REV	内容 DESCRIPTION	签名 SIGN.	日期 DATE

6	BREAK TERMINAL	C2680 (b)	1	Ag PLATED (b)
5	BREAK TERMINAL	C2680 (b)	1	Ag PLATED (b)
4	TIP TERMINAL	C5210 (b)	1	Ag PLATED (b)
3	RING TERMINAL	C5210 (b)	1	Ag PLATED (b)
2	EARTH TERMINAL	C5210 (b)	1	Ag PLATED (b)
1	HOUSINTG	P O M	1	
序NO.	零件 PART	材料 MATERIAL	数量 QTY	备注 REMARKS

TOLERANCES UNLESS OTHERWISE SPEC.

UNDER 1	± 0.10
1 - 10	± 0.30
OVER 10	± 0.50

TITLE	EAR PHONE JACKS		ITEM NO	EJ-3561	
DRAWN	蔡维	06-03-23	VERSION	A01	PAGE 1 OF 1
REVIEWED	张念明	06-03-24	SCALE		UNIT mm
APPROVED	林高全	06-03-24	PROJECTION		

COMAX ELECTRONICS (HUIZHOU) CO.,LTD.