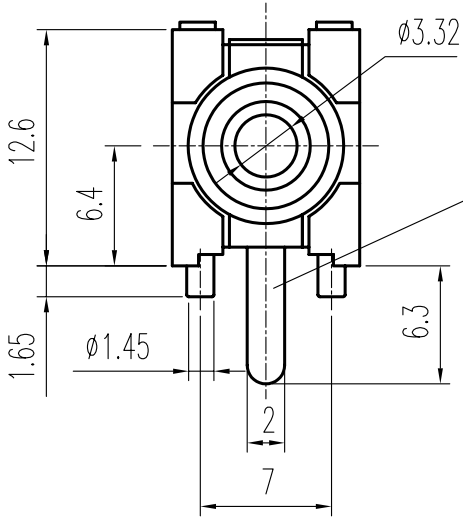


⊙ 规格 Specifications

额定负荷 Ratings	DC 12 V 1.0 A
初期接触电阻 Initial Contact Resistance	50 mΩ Max.
绝缘电阻 Insulation Resistance	DC 500V 60 Sec. 100 MΩ Min.
抗电强度 Dielectric Voltage	AC 500 V (50~60HZ) 60 Sec.

插拔力 Insertion and Extraction force	插入力 Insertion force	0.1 — 3.0 Kgf
	拔出力 Extraction force	0.1 — 3.0 Kgf
机械寿命 Operating Life Without Load	250 次 Cycles	



1

2

3

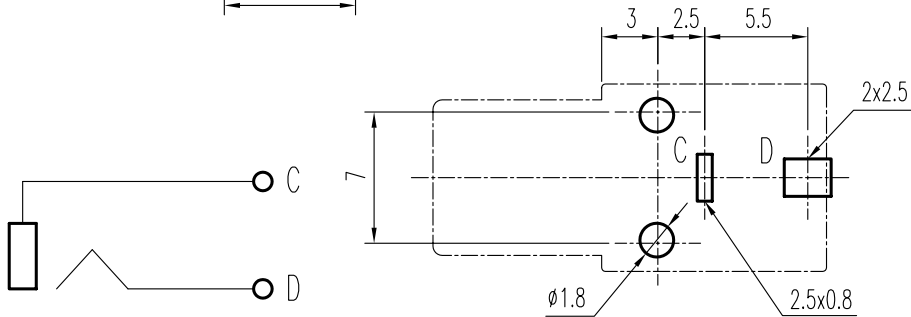
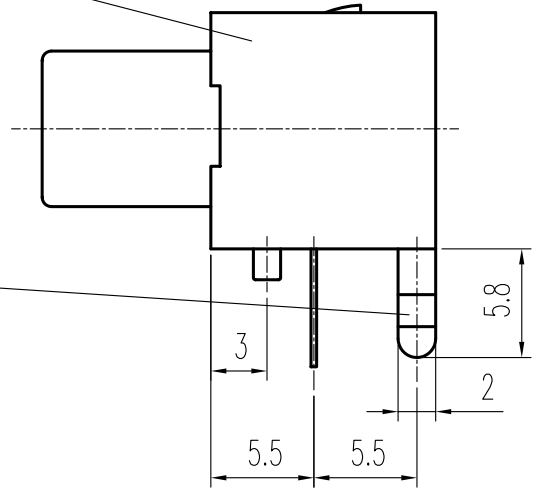


示意图 SCHEMATIC

安装孔 PIERCING PLAN

MODEL NO.	HOUSING COLOR
EJ-8334-02	BLACK
EJ-8334-11	YELLOW
EJ-8334-12	RED
EJ-8334-13	WHITE

序号 NO.	零件 PART	材料 MATERIAL	数量 QTY	备注 REMARKS	标号 REV	内容 DESCRIPTION	签名 SIGN.	日期 DATE
5								
4					A01	增加规格栏见⊙	曹文斌	06-07-18
3	BREAK TERMINAL	C2680	1	Ag PLATED		修改零件列表见⊙		
2	EARTH TERMINAL	C2680	1	Ni PLATED	01		赖立辉	1 APR 01
1	HOUSING	ABS	1	见上表				
					DWG NO. ITEM1953			

TOLERANCES UNLESS OTHERWISE SPEC.		TITLE	EARPHONE JACK		ITEM NO	EJ-8334		
UNDER 1	± 0.10	DRAWN	曹文斌	06-07-18	VERSION	A01	PAGE	1 OF 1
1 - 10	± 0.30	REVIEWED	张念明	06-07-18	SCALE		UNIT	mm
OVER 10	± 0.50	APPROVED	林高全	06-07-19	PROJECTION			

COMAX ELECTRONICS (HUIZHOU) CO.,LTD.