

TRAVEL POSITION (X)		
① ③	ON	OFF
② ③	OFF	ON
④ ⑥	ON	OFF
⑤ ⑥	OFF	ON

0      1.5Min.      5.2Max. (m/m)

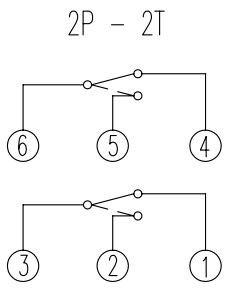
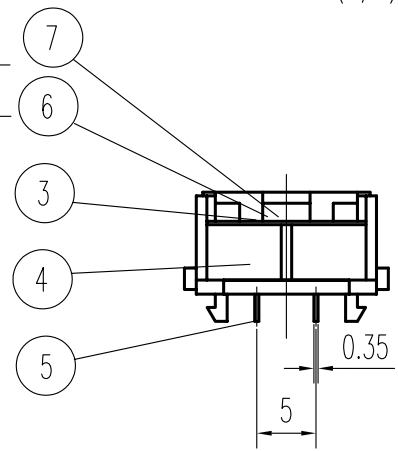
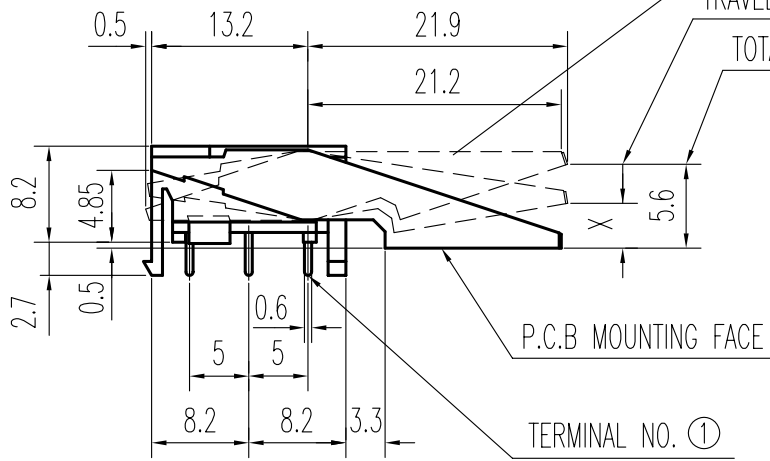
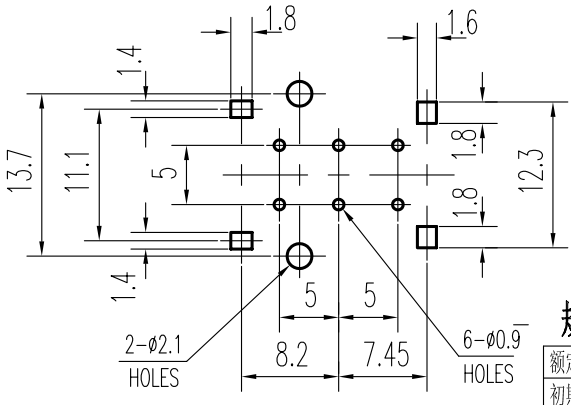


示意图 SCHEMATIC



安装孔 PIERCING PLAN

规格 Specifications

额定负荷 Ratings	DC 30_V 0.2_A
初期接触电阻 Initial Contact Resistance	50_mΩ Max.
绝缘电阻 Insulation Resistance	DC500V_60_Sec.100_MΩ Min.
抗电强度 Dielectric	AC500_V(50~60HZ)_60_Sec.

操作力 Operating force	50±20 gf
负荷寿命 Operating Life With Load	100,000 次 Cycles

序 NO.	零件 PART	材料 MATERIAL	数量 QTY	备注 REMARKS
7	滑块 CLIP SUPPORT	PA	1	BLACK
6	弹簧 SPRING	SUS	1	NATURAL
5	端子 TERMINAL	C2680R	6	Ag PLATED
4	外壳 CASE	PA	1	BLACK
3	接触片 CONTACT CLIP	C5210R	2	Ag CLAD
2	杠杆 LEVER	P O M	1	WHITE
1	盖片 COVER	P O M	1	BLUE

A01	更改为新版本图框、更改材料明细栏见 ②	刘红梅	06-05-11
02		欧永洪	15-7-04
标号 REV	内容 DESCRIPTION	签名 SIGN.	日期 DATE
DWG NO. ITEM1200			

TOLERANCES UNLESS OTHERWISE SPEC.		TITLE	HOOK SWITCH		ITEM NO	HS-2206-D NS	
UNDER 1	± 0.10	DRAWN	刘红梅	06-05-11	VERSION	A01	PAGE 1 OF 1
1 - 10	± 0.30	REVIEWED	张念明	06-05-12	SCALE		UNIT mm
OVER 10	± 0.50	APPROVED	林高全	06-05-12	PROJECTION		

**COMAX** ELECTRONICS (HUIZHOU) CO.,LTD.