

TRAVEL POSITION (X)			
①	③	ON	OFF
②	③	OFF	ON
④	⑥	ON	OFF
⑤	⑥	OFF	ON
		0	1.5Min. 5.9Max. (m/m)

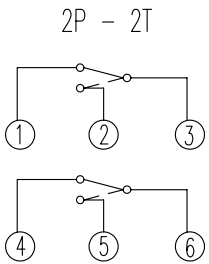
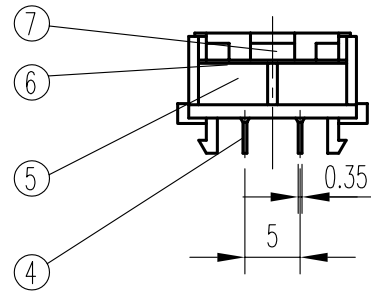
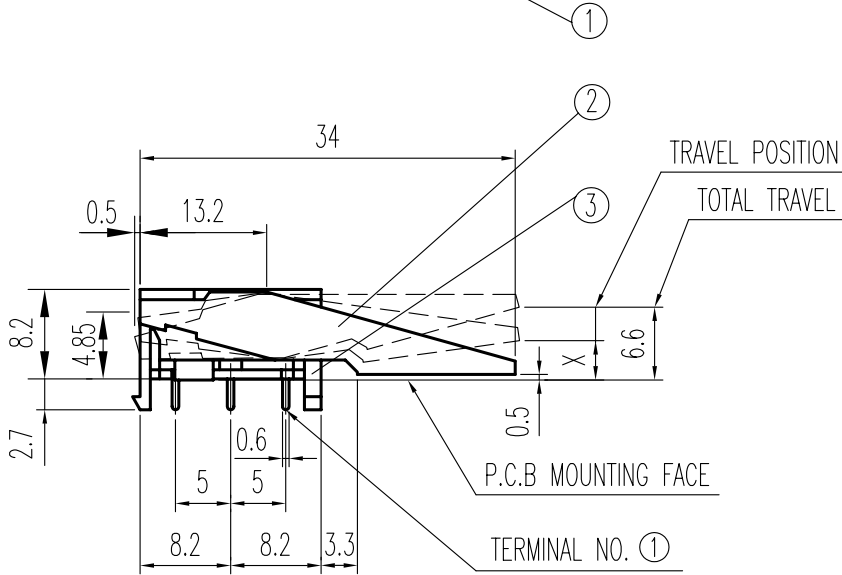
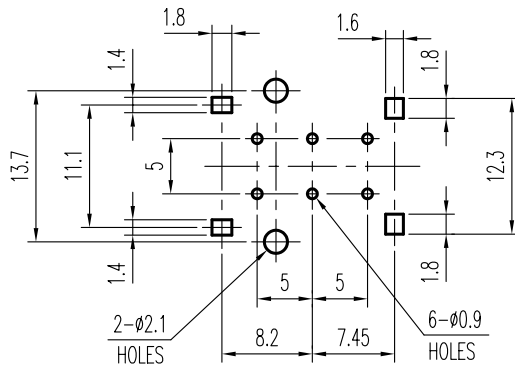


示意图 SCHEMATIC



安装孔 PIERCING PLAN

### 规格 Specifications

额定负荷 Ratings	DC 30 V 0.2 A
初期接触电阻 Initial Contact Resistance	50 mΩ Max.
绝缘电阻 Insulation Resistance	DC 500 V 60 Sec. 100 MΩ Min.
抗电强度 Dielectric	AC 500 V (50~60HZ) 60 Sec.

操作力 Operating Force	50±20 gf
负荷寿命 Operating Life With Load	100,000 次 Cycles

序 NO.	零件 PART	材料 MATERIAL	数量 QTY	备注 REMARKS	标号 REV	内容 DESCRIPTION	签名 SIGN.	日期 DATE
7	滑块 CLIP SUPPORT	PA	1	BLACK				
6	弹簧 SPRING	SUS	1	NATURAL				
5	接触片 CONTACT CLIP	C5210R	2	Ag CLAD				
4	端子 TERMINAL	C2680R	6	Ag PLATED				
3	外壳 CASE	PA	1	BLACK	A01	修正材料表栏	刘红梅	06-05-06
2	杠杆 LEVER	P O M	1	WHITE	03	见 ②	何锦洪	2004/1/11
1	盖片 COVER	P O M	1	BLUE				
					标号 REV	内容 DESCRIPTION	签名 SIGN.	日期 DATE
					DWG NO. ITEM1595			

TOLERANCES UNLESS OTHERWISE SPEC.		TITLE	HOOK SWITCH		ITEM NO	HS-2206-E NS		
UNDER 1	± 0.10	DRAWN	刘红梅	06-05-06	VERSION	A01	PAGE 1	OF 1
1 - 10	± 0.30	REVIEWED	刘瑞富	06-05-06	SCALE		UNIT	mm
OVER 10	± 0.50	APPROVED	高洪	06-05-06	PROJECTION			

**COMAX** ELECTRONICS (HUIZHOU) CO.,LTD.