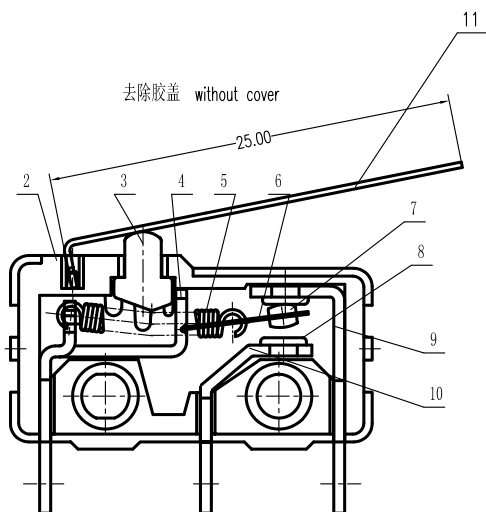


规格 Specifications



额定负荷 Ratings	5A 125VAC 3A 250VAC
初始接触阻抗 Initial Contact Resistance	100 mΩ Max.
绝缘阻抗 Insulation Resistance	DC 500 V 60±5 Sec. 100 MΩ Min.
抗电强度 Dielectric Voltage	AC 1000 V (50~60HZ) 60±5 Sec.
操作力 Operating Force	20±10 gf
回复力 Releasing Force	5 gf Min.
动作位置 Operating Position	10.0±1.5mm
自由位置 Free Position	14.2mm Max.
接触行程 Pre Travel	4.5 mm Max.
过行程 Over Travel	1.5 mm Min.
差程 Movement Differential Travel	2.0 mm Max.
机械寿命 Operating Life Without Load	1,000,000 次cycles
负荷寿命 Operating Life With Load	UL: 6,000 次cycles
	CQC: 50,000 次cycles
	VDE: 50,000 次cycles

注: P处代表生产日期: YY代表年份=04, 05, 06..., M代表季度=1, 2, 3, ...,

11	杠杆	Lever	SUS	1	NATURAL
10	NO 端子	NO Terminal	C2680R	1	Ag PLATED
9	NC 端子	NC Terminal	C2680R	1	Ag PLATED
8	端子触点	Terminal contact	AgNi Alloy	2	NATURAL
7	接触片触点	Contact	AgNi Alloy	1	NATURAL
6	接触片	Contact Plate	C5210R	1	Ag PLATED
5	弹簧	Spring	SUS	1	NATURAL
4	COM 端子	Com Terminal	C2680R	1	Ag PLATED
3	按钮	Knob	PBT	1	BLACK
2	胶壳	Housing	PBT	1	BLACK
1	胶盖	Cover	PBT	1	BLACK
序NO.	零件PART	材料MATERIAL	数量QTY	备注REMARKS	

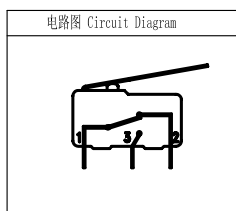
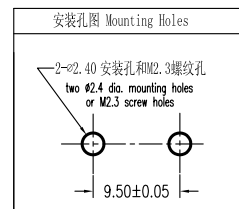


示意图 SCHEMATIC



安装孔PIERCING PLAN

标号REV	内容DESCRIPTION	签名SIGN.	日期DATE
DWG NO. ITEM2631			

TOLERANCES UNLESS OTHERWISE SPEC.		TITLE	MS-105微动开关		ITEM NO	MS-105A01-03 (B)	
UNDER 1	± 0.10	DRAWN	方勇	06-03-06	VERSION	A01	PAGE 1 OF 1
1 - 10	± 0.30	REVIEWED	张念明	06-03-06	SCALE		UNIT mm
OVER 10	± 0.50	APPROVED	林高全	06-03-07	PROJECTION		

COMAX ELECTRONICS (HUIZHOU). CO., LTD