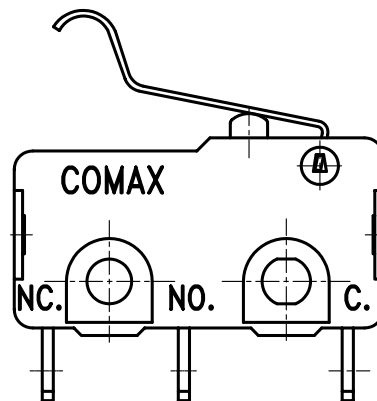
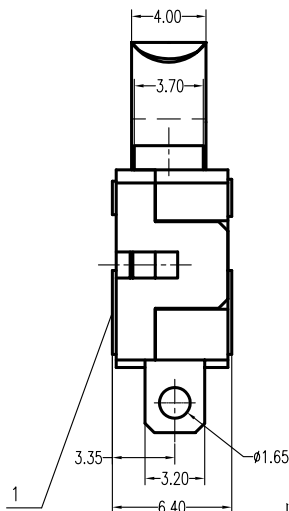
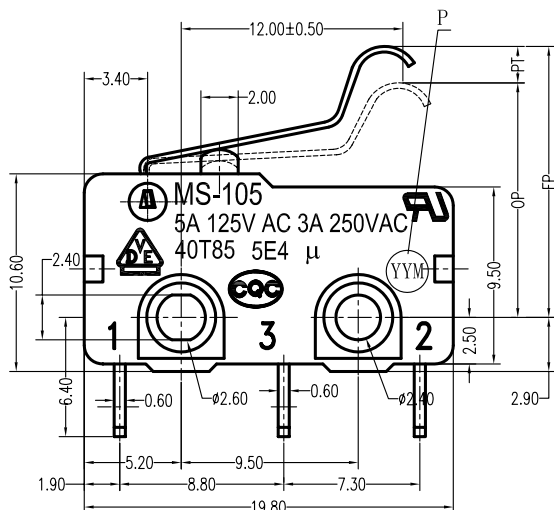
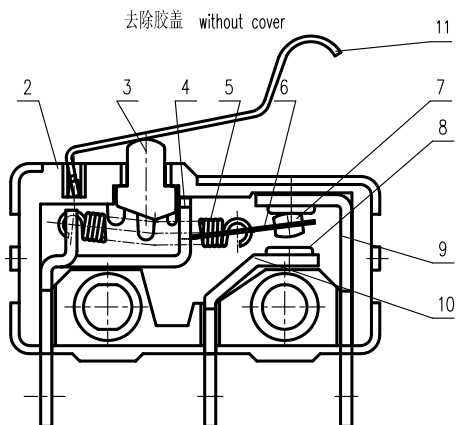


试制



规格 Specifications

| | |
|----------------------------------|--|
| 额定负荷 Ratings | 5A 125VAC 3A 250VAC |
| 接触阻抗 Contact Resistance | 100 mΩ Max. |
| 绝缘阻抗 Insulation Resistance | DC500 V _{60±5} Sec. 100 MΩ Min. |
| 抗电强度 Dielectric Voltage | AC1000 V(50~60HZ) 60±5 Sec. |
| 操作力 Operating Force | 60 ± 20 gf |
| 回复力 Releasing Force | 15 gf Min. |
| 动作位置 Operating Position | 12.50 ± 0.80 mm |
| 自由位置 Free Position | 15.20 mm Max. |
| 接触行程 Pre Travel | 2.70 mm Max. |
| 过行程 Over Travel | 0.60 mm Min. |
| 差程 Movement Differential Travel | 0.80 mm Max. |
| 机械寿命 Operating Life Without Load | 1,000,000 次cycles |
| 负荷寿命 Operating Life With Load | UL: 6,000 次cycles |
| | CQC: 50,000 次cycles |
| | VDE: 50,000 次cycles |



注:P处代表生产日期:YY代表年份=04, 05, 06..., M代表季度=1, 2, 3, ...,

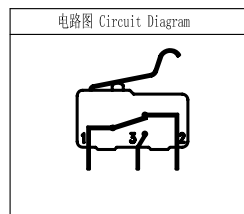
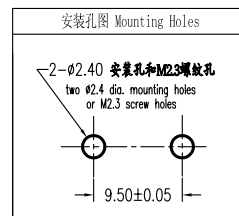


示意图 SCHEMATIC



安装孔PIERCING PLAN

| | | | | | |
|------|--------|------------------|----------|-----------|--|
| 11 | 杠杆 | Lever | SUS | 1 | |
| 10 | NO 端子 | NO Terminal | Cu/Ep.Ag | 1 | |
| 9 | NC 端子 | NC Terminal | Cu/Ep.Ag | 1 | |
| 8 | 端子触点 | Terminal contact | AgNi10 | 2 | |
| 7 | 接触片触点 | Contact | AgNi10 | 1 | |
| 6 | 接触片 | Moving Plate | Cu/Ep.Ag | 1 | |
| 5 | 弹簧 | Spring | SUS | 1 | |
| 4 | COM 端子 | Com Terminal | Cu/Ep.Ag | 1 | |
| 3 | 按钮 | Knob | PBT | 1 | |
| 2 | 胶壳 | Housing | PBT | 1 | |
| 1 | 胶盖 | Cover | PBT | 1 | |
| 序NO. | 零件PART | 材料MATERIAL | 数量QTY | 备注REMARKS | |

标号REV 内容DESCRIPTION 签名SIGN. 日期DATE

DWG NO. ITEM2458

| | | | | | | | | |
|-----------------------------------|--------|----------|--------------|----------|------------|------------------|-------------|--|
| TOLERANCES UNLESS OTHERWISE SPEC. | | TITLE | MICRO SWITCH | | ITEM NO | MS-105A01-06 (C) | | |
| UNDER 1 | ± 0.10 | DRAWN | Fang y | 24-01-05 | VERSION | P01 | PAGE 1 OF 1 | |
| 1 - 10 | ± 0.30 | REVIEWED | Zhang nm | 24-01-05 | SCALE | UNIT mm | | |
| OVER 10 | ± 0.50 | APPROVED | Gao hong | 24-01-05 | PROJECTION | | | |

COMAX INDUSTRIAL CO., LTD .