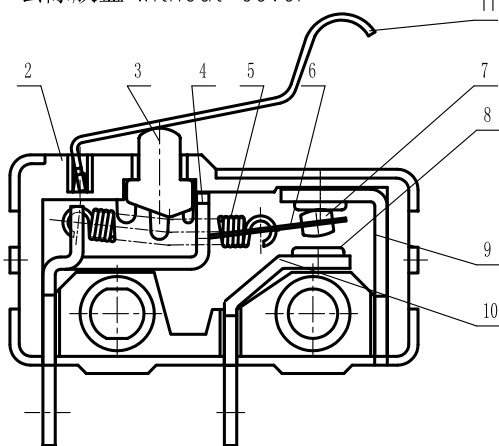


### 规格 Specifications

去除胶盖 without cover



注:P处代表生产日期:YY代表年份=04, 05, 06..., M代表季度=1, 2, 3, ...,

额定负荷 Ratings	5A 125VAC 3A 250VAC
初期接触电阻 Initial Contact Resistance	100 mΩ Max.
绝缘电阻 Insulation Resistance	DC500 V $60 \pm 5$ Sec.100 MΩ Min.
抗电强度 Dielectric Voltage	AC1000 V(50~60HZ) $60 \pm 5$ Sec.
操作力 Operating Force	60±20 gf
回复力 Releasing Force	15 gf Min.
动作位置 Operating Position	12.50±0.80mm
自由位置 Free Position	15.20mm Max.
接触行程 Pre Travel	2.7 mm Max.
过行程 Over Travel	0.6 mm Min.
差程 Movement Differential Travel	0.8 mm Max.
机械寿命 Operating Life Without Load	1,000,000 *cycles
负荷寿命 Operating Life With Load	UL:6,000 *cycles
	CQC:50,000 *cycles
	VDE:50,000 *cycles

①

序号NO.	零件PART	材料MATERIAL	数量QTY	备注REMARKS
11	杠杆 Lever	SUS	1	NATURAL
10	NO 端子 NO Terminal	Cu	1	Ag PLATED
9	NC 端子 NC Terminal	Cu	1	Ag PLATED
8	端子触点 Terminal contact	AgNi Alloy	2	NATURAL
7	接触片触点 Contact Point	AgNi Alloy	1	NATURAL
6	接触片 Moving Plate	Cu	1	Ag PLATED
5	弹簧 Spring	SUS	1	NATURAL
4	COM 端子 Com Terminal	Cu	1	Ag PLATED
3	按钮 Knob	PBT	1	BLACK C
2	胶壳 Housing	PBT	1	BLACK C
1	胶盖 Cover	PBT	1	BLACK C

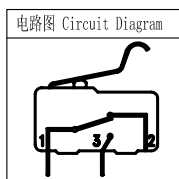
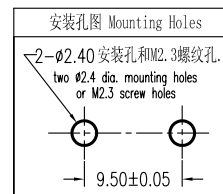


示意图 SCHEMATIC



安装孔PIERCING PLAN

A01	增加备注栏内的颜色 见 ① 更改为新版本图框	刘红梅	06-05-13
01		方勇	2004/7/29
标号REV	内容DESCRIPTION	签名SIGN.	日期DATE
DWG NO. ITEM2377			

TOLERANCES UNLESS OTHERWISE SPEC.		TITLE	MICRO SWITCH		ITEM NO	MS-105B01-06(C)	
UNDER 1	± 0.10	DRAWN	刘红梅	06-05-13	VERSION	A01	PAGE 1 OF 1
1 - 10	± 0.30	REVIEWED	张念明	06-05-15	SCALE		UNIT mm
OVER 10	- + 0.50	APPROVED	林高全	06-05-15	PROJECTION		

**COMAX** ELECTRONICS(HUIZHOU) CO., LTD.