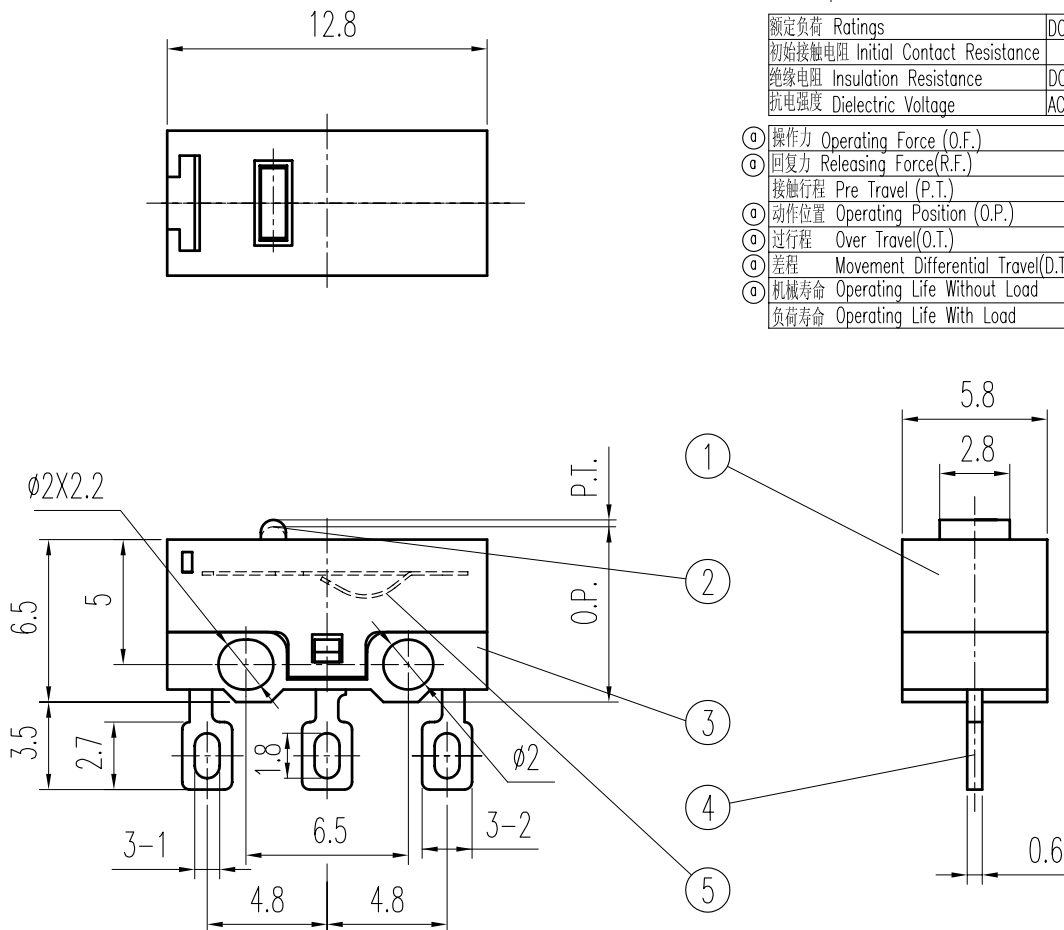


规格 Specifications

额定负荷 Ratings	DC 30 V 0.1 A
初始接触电阻 Initial Contact Resistance	50 mΩ Max.
绝缘电阻 Insulation Resistance	DC 500 V 60 Sec. 100 MΩ Min.
抗电强度 Dielectric Voltage	AC 1000 V (50~60HZ) 60 Sec.
操作力 Operating Force (O.F.)	70 ± 40 gf
回复力 Releasing Force (R.F.)	10 gf Min.
接触行程 Pre Travel (P.T.)	0.50 mm Max.
动作位置 Operating Position (O.P.)	7.00 ± 0.30 mm
过行程 Over Travel (O.T.)	0.50 mm Min.
差程 Movement Differential Travel (D.T.)	0.15 mm Max.
机械寿命 Operating Life Without Load	500,000 Cycles
负荷寿命 Operating Life With Load	50,000 Cycles



1 P - 2 T

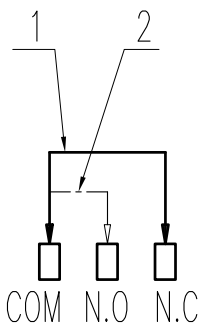
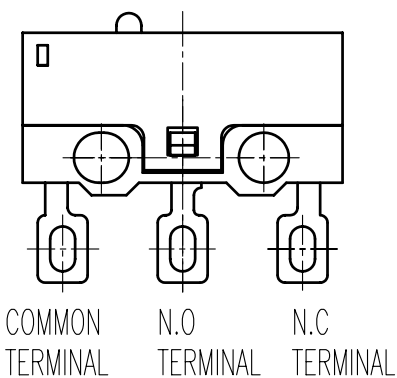


示意图 SCHEMATIC



安装孔 PIERCING PLAN

序NO.	零件 PART	材料 MATERIAL	数量 QTY	备注 REMARKS
5	弹片 CONTACT SPRING	C1720	1	Ag PLATED
4	端子 TERMINAL	C2680R	3	Ag PLATED
3	胶壳 HOUSING	PBT	1	BLACK C
2	胶柄 KNOB	PBT	1	RED
1	胶盖 COVER	PBT	1	BLACK C

标号 REV	内容 DESCRIPTION	签名 SIGN.	日期 DATE
A01	增加机械寿命500000次见 ① 差程0.50mm Max. 变更为0.15mm Max. 见 ① 过行程0.20mm Min. 变更为0.50mm Min. 见 ① 动作位置6.80 ± 0.30mm 变更为7.00 ± 0.30mm 见 ① 回复力20gf Min. 变更为10gf Min. 见 ① 操作力80 ± 30gf 变更为70 ± 40gf 见 ①	曹文斌	2006/11/21
P01		孙斌	04.05.25

TOLERANCES UNLESS OTHERWISE SPEC.		TITLE		MICRO SWITCH		ITEM NO		MS-118405	
UNDER 1	± 0.10	DRAWN	曹文斌	2006/11/21	VERSION	A01	PAGE	1	OF 1
1 - 10	± 0.30	REVIEWED	张念明	2006/11/22	SCALE		UNIT	mm	
OVER 10	± 0.50	APPROVED	刘瑞富	2006/11/23	PROJECTION				

**COMAX** ELECTRONICS (HUIZHOU) CO.,LTD.