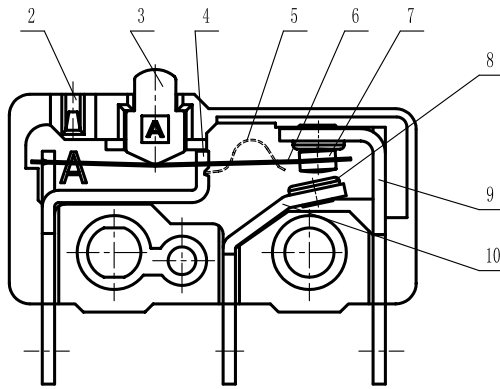


规格 Specifications



额定负荷 Ratings	5A 125VAC/ 3A 250VAC
① 初期接触电阻 Initial Contact Resistance	100 mΩ Max.
绝缘电阻 Insulation Resistance	DC500 V _{60±5 Sec.} 100 MΩ Min.
抗电强度 Dielectric Voltage	AC1000 V(50~60HZ) 60±5 Sec.
操作力 Operating Force	50 ±15 gf
回复力 Releasing Force	15 gf Min.
动作位置 Operating Position	8.40±0.50mm
自由位置 Operating Position	9.20mm Max.
接触行程 Pre Travel	0.5 mm Max.
过行程 Over Travel	0.3 mm Min.
差程 Movement Differential Travel	0.1 mm Max.
机械寿命 Operating Life Without Load	1,000,000 cycles
负荷寿命 Operating Life With Load	UL: 6,000 cycles CQC: 50,000 cycles

注:P处代表生产日期:YY代表年份=05,06,07...,M代表季度=1,2,3,....

11	铆钉 Rivet	Aluminum	1	NATURAL
10	NO 端子 NO Terminal	C2680R	1	Ag PLATED
9	NC 端子 NC Terminal	C2680R	1	Ag PLATED
8	端子触点 Terminal contact	AgNi Alloy	2	NATURAL
7	接触片触点 Contact Point	AgNi Alloy	1	NATURAL
6	接触片 Moving Plate	C5210R	1	Ag PLATED
5	弹片 Spring Plate	SUS	1	NATURAL
4	COM 端子 Com Terminal	C2680R	1	Ag PLATED
3	按钮 Knob	PBT	1	BLACK C
2	胶壳 Housing	PF	1	BLACK C
1	胶盖 Cover	PF	1	BLACK C
序NO.	零件PART	材料MATERIAL	数量QTY	备注REMARKS

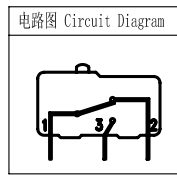
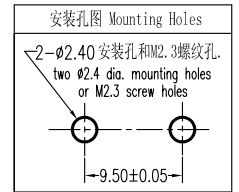


示意图 SCHEMATIC



安装孔PIERCING PLAN

A02	接触阻抗更改为初期接触电阻	见 ①	刘红梅	06-06-06
A01			方勇	2005/3/28
标号REV	内容DESCRIPTION	签名SIGN.	日期DATE	
DWG NO. ITEM2426				

TOLERANCES UNLESS OTHERWISE SPEC.		TITLE	MICRO SWITCH	ITEM NO	MS-205A01(A)		
UNDER 1	± 0.10	DRAWN	刘红梅	06-06-06	VERSION	A02	PAGE 1 OF 1
1 - 10	± 0.30	REVIEWED	张念明	06-06-06	SCALE		UNIT mm
OVER 10	± 0.50	APPROVED	高洪	06-06-06	PROJECTION		

COMAX ELECTRONICS(HUIZHOU) CO., LTD.