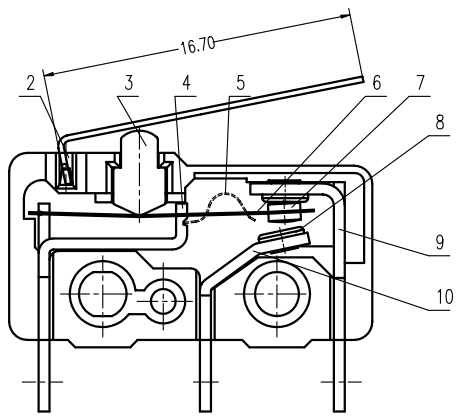


规格 Specifications



额定负荷 Ratings	5A 125VAC 3A 250VAC
初始接触阻抗 Initial Contact Resistance	100 mΩ Max.
绝缘阻抗 Insulation Resistance	DC500 V _{60±5 Sec.} 100 MΩ Min.
抗电强度 Dielectric Voltage	AC1000 V(50~60HZ) 60±5 Sec.
操作力 Operating Force	20±10 gf
回复力 Releasing Force	2 gf Min.
动作位置 Operating Position	9.40±1.0mm
自由位置 Free Position	12.50mm Max.
接触行程 Pre Travel	3.0 mm Max.
过行程 Over Travel	1.2 mm Min.
差程 Movement Differential Travel	0.8 mm Max.
机械寿命 Operating Life Without Load	1,000,000 *cycles
负荷寿命 Operating Life With Load	UL: 6,000 *cycles CQC: 50,000 *cycles

注: P处代表生产日期: YY代表年份=04, 05, 06..., M代表季度=1, 2, 3, ...,

12	杠杆	Lever	SUS	1	NATURAL
11	铆钉	Rivet	Aluminum	1	NATURAL
10	NO 端子	NO Terminal	C2680R	1	Ag PLATED
9	NC 端子	NC Terminal	C2680R	1	Ag PLATED
8	端子触点	Terminal contact	AgNi Alloy	2	NATURAL
7	接触片触点	Contact	AgNi Alloy	1	NATURAL
6	接触片	Moving Plate	C5210R	1	NATURAL
5	弹片	Spring Plate	C1720R	1	NATURAL
4	COM 端子	Com Terminal	C2680R	1	NATURAL
3	按钮	Knob	PBT	1	SAFFRON
2	胶壳	Housing	PF	1	BLACK C
1	胶盖	Cover	PF	1	BLACK C
序NO.	零件PART	材料MATERIAL	数量QTY	备注REMARKS	

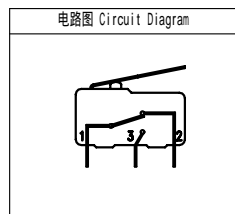
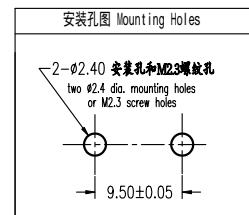


示意图 SCHEMATIC



安装孔PIERCING PLAN

标号REV 内容DESCRIPTION 签名SIGN. 日期DATE

DWG NO. ITEM2845

TOLERANCES UNLESS OTHERWISE SPEC.		TITLE	MICRO SWITCH		ITEM NO	MS-205A01-01 (A)		
UNDER 1	± 0.10	DRAWN	王光云	2007/5/11	VERSION	A01	PAGE	1 OF 1
1 - 10	± 0.30	REVIEWED	张念明	2007/5/14	SCALE	—	UNIT	mm
OVER 10	± 0.50	APPROVED	刘瑞富	2007/5/14	PROJECTION			

COMAX ELECTRONICS (HUI ZHOU) CO., LTD.

ED37 版本:A01