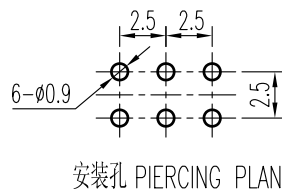
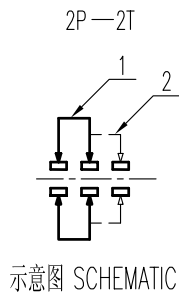
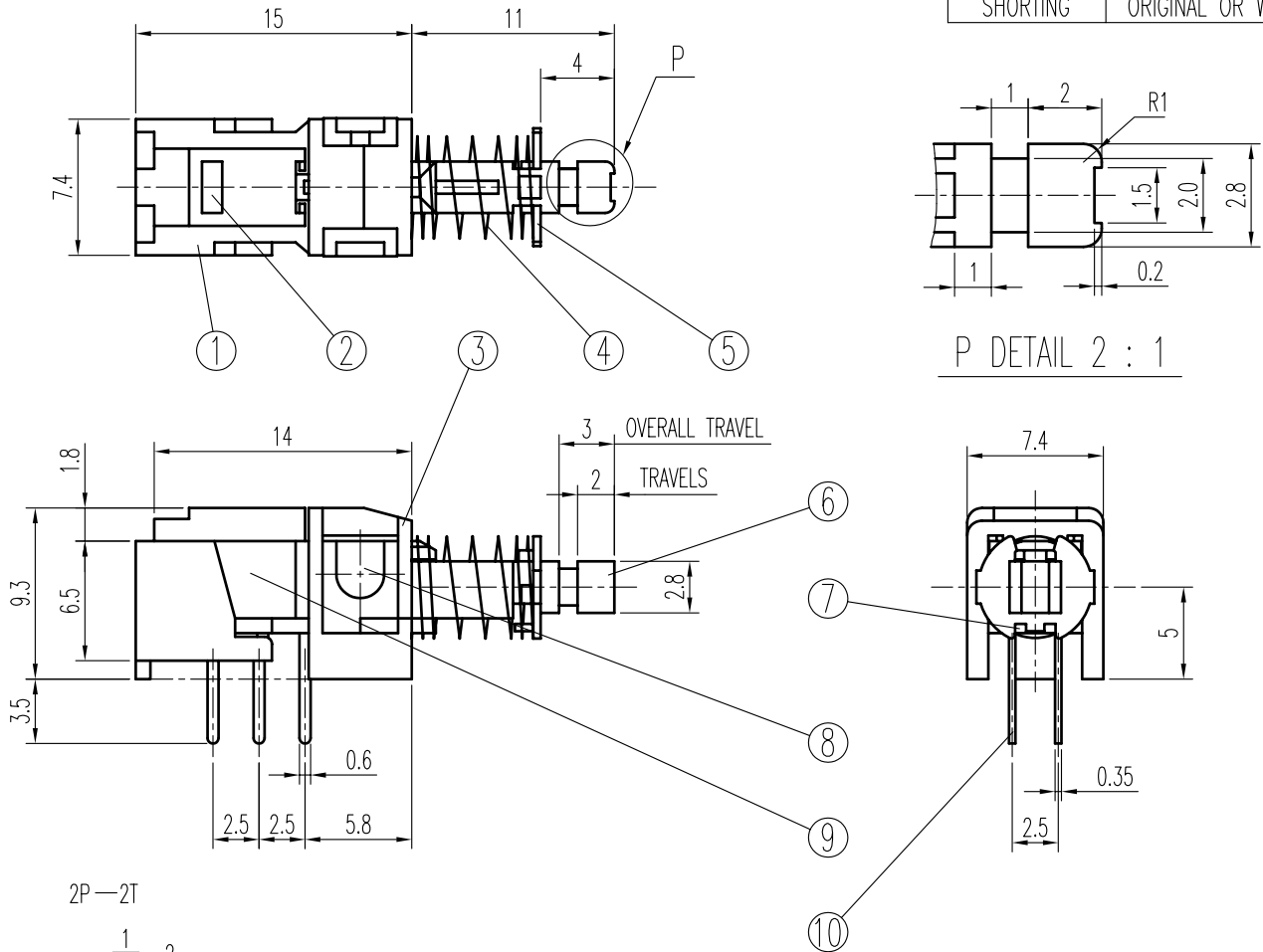


| | |
|--------------|-------------------|
| TIMING | KNOB COLOUR |
| NON-SHORTING | BLACK C |
| SHORTING | ORIGINAL OR WHITE |



规格 Specifications

| | |
|-----------------------------------|------------------------------|
| 额定负荷 Ratings | DC 30 V 0.3 A |
| 初期接触电阻 Initial Contact Resistance | 30 mΩ Max. |
| 绝缘电阻 Insulation Resistance | DC 500 V 60 Sec. 100 MΩ Min. |
| 抗电强度 Dielectric Voltage | AC 500 V (50~60HZ) 60 Sec. |

| | | |
|------------------------------------|-------|-----------------|
| 操作力 Operating Force(gf) | A → B | 250 ± 100 |
| | (V) | 450 ± 150 |
| ① 机械寿命 Operating Life Without Load | | 10,000 次 Cycles |

| | | | | | |
|------|---------|---------------|--------------|------------|-----------|
| 10 | 端子 | TERMINAL | C2680R | 6 | Ag PLATED |
| 9 | 接触片 | CONTACT CLIP | C5210R | 2 | Ag CLAD |
| 8 | 锁针 | LOCK HOOK | SUS | 1 | NATURAL |
| 7 | 基板 | TERMINAL BASE | PHENOL RESIN | 1 | YELLOW |
| 6 | 胶柄 | KNOB | POM | 1 | 见上表 |
| 5 | 挡片 | STOPPER | SPCC | 1 | Ni PLATED |
| 4 | 弹簧 | SPRING | SUS | 1 | NATURAL |
| 3 | 胶夹 | PLASTIC CLIP | POM | 1 | NATURAL |
| 2 | 弹片 | SPRING PLATE | C5210R | 1 | NATURAL |
| 1 | 胶壳 | CASE | PC | 1 | BLACK C |
| 序NO. | 零件 PART | 材料 MATERIAL | 数量 QTY | 备注 REMARKS | |

| | | | |
|--------|----------------|----------|------------|
| A04 | 负荷寿命更改为机械寿命 见① | 刘红梅 | 2006-11-1 |
| A03 | 修改见 ③ | 杨蝶 | 2006/10/20 |
| A02 | 修改见 ⑤ | 曹文斌 | 06-05-08 |
| A01 | 修改见 ① | 曹文斌 | 28 MAR 06 |
| 01 | | 赖立辉 | 15 MAR 94 |
| 标号 REV | 内容 DESCRIPTION | 签名 SIGN. | 日期 DATE |

| | | | | | | | | |
|-----------------------------------|--------|----------|--------------------|-----------|------------|------------|--------|------|
| TOLERANCES UNLESS OTHERWISE SPEC. | | TITLE | PUSH BUTTON SWITCH | | ITEM NO | PB-22D01-L | | |
| UNDER 1 | ± 0.10 | DRAWN | 刘红梅 | 2006-11-1 | VERSION | A04 | PAGE 1 | OF 1 |
| 1 - 10 | ± 0.30 | REVIEWED | 张念明 | 2006-11-2 | SCALE | | UNIT | mm |
| OVER 10 | ± 0.50 | APPROVED | 刘瑞富 | 2006-11-2 | PROJECTION | | | |

COMAX ELECTRONICS (HUIZHOU) CO.,LTD.