

SPECIFICATION SPC-3060 (versi on 01)

Item Name : PUSH BUTTON SWITCHES
 Item No. : PB-6KG2A222226XL-NS

1. Rated voltage and current : DC 25 V , 1 A
2. Timing : NON-SHORTING

3. Electrical performance

	Test conditions	Performance
3.1 Contact resistance	Being measured at 1KHz \pm 200 Hz at no load.	Max. 30 m Ω
3.2 Insulation resistance	Being measured with an insulation measuring device of DC 500V between any open terminals and between the terminal and the frame for 1 minute \pm 5 seconds.	Min. 100 M Ω
3.3 Dielectric strength	Withstand AC 500V (50-60Hz) for 1 minute being applied between any open terminals and between the terminal and the frame.	Not breaking insulation

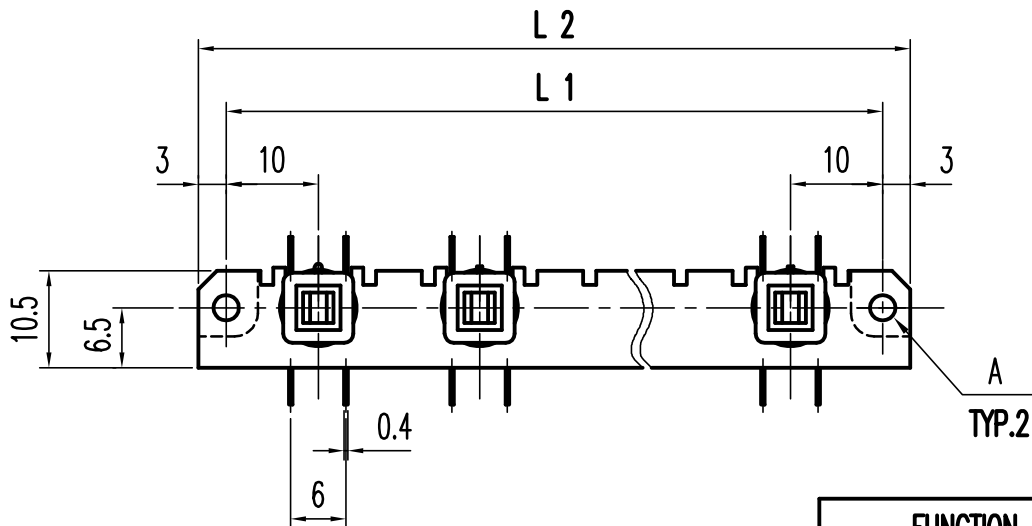
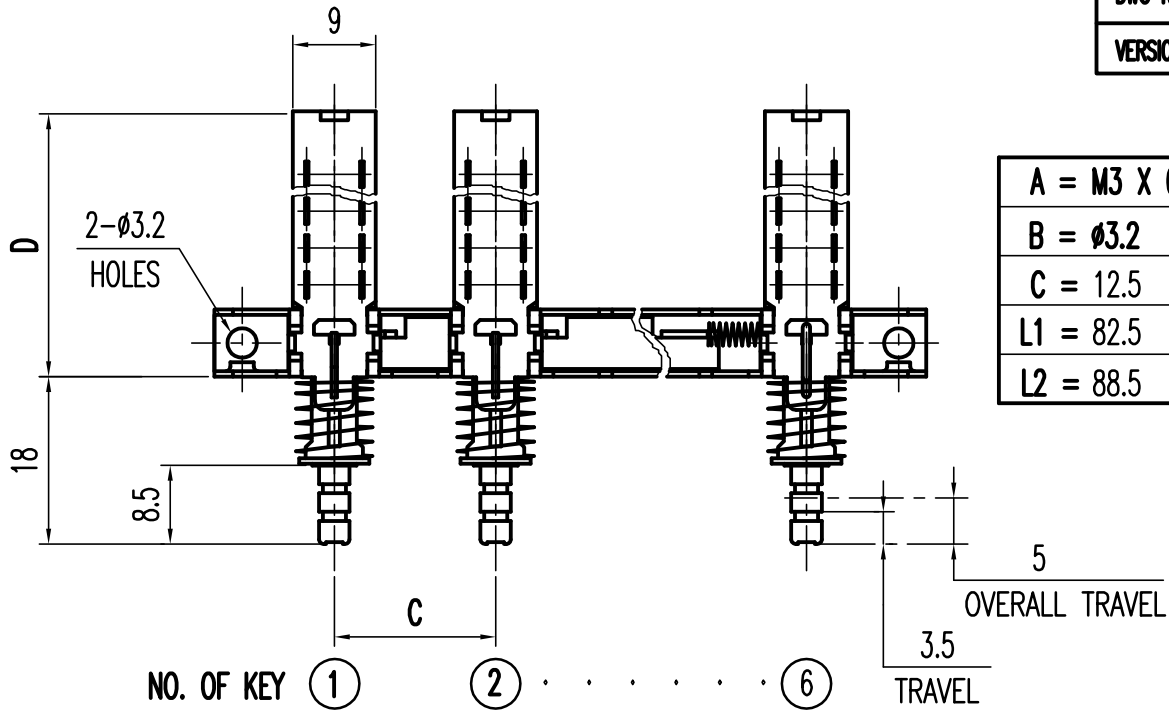
4. Mechanical performance

	Test conditions	Performance		
4.1 Operating force (gf)	Function	2P - 2T	4P - 2T	6P - 2T
	Non-Lock or Self Lock	350 \pm 150		450 \pm 150
	Inter Lock			
4.2 Terminal strength	A static force of 500gf being applied in one direction on the tip of the terminal for 1 minute.	The terminal may be deformed, but shall not sustain any trouble as deviation and breaking of terminal, and breaking of insulation material. Electrical performance of the above 3 shall be assured.		

5. Durability :

	Test conditions	Performance
Operating life	10,000 cycles operating at a rate of 15-20 cycles per minute, without load.	(1) Contact resistance : Max. 50 m Ω (2) Insulation resistance : Min. 100 M Ω (3) Withstand voltage : AC 250V, 1 minute, not breaking insulation. (4) Operating force : -30% or less of initial value. (5) There shall be no defects in appearance or in the mechanical functions.

6. Solderability : 230 \pm 5 $^{\circ}$ C , 3 \pm 0.5 second.
7. Practical temperature range : -15 $^{\circ}$ C --- +50 $^{\circ}$ C.



D	2 POLES	4 POLES	6 POLES
	24.8	36.8	48.8

NO. OF KEY	1	2	3	4	5	6	7	8	9	10
POLES	2	2	2	2	2	6	/	/	/	/
FUNCTION	L	L	L	L	L	L	/	/	/	/
TIMING	NS									

FUNCTION
F = NON-LOCK
L = SELF-LOCK
T = INTERLOCK
XF = ALL NON-LOCK
XL = ALL SELF-LOCK
XT = ALL INTERLOCK

CHANGEOVER TIMING
S = SHORTING
NS = NON-SHORTING

TOLERANCES UNLESS OTHERWISE SPEC.		TITLE	PUSH BUTTON SWITCH	ITEM NO.	PB-6KG2A22226XL-NS			
UNDER 1	± 0.10	DRAWN	L. F. L A I	15 DEC 00	SCALE	DO NOT SCALE	UNIT	mm
1 - 10	± 0.30	APPROVED			PROJECTION			
OVER 10	± 0.50							

COMAX INDUSTRIAL CO., LTD.