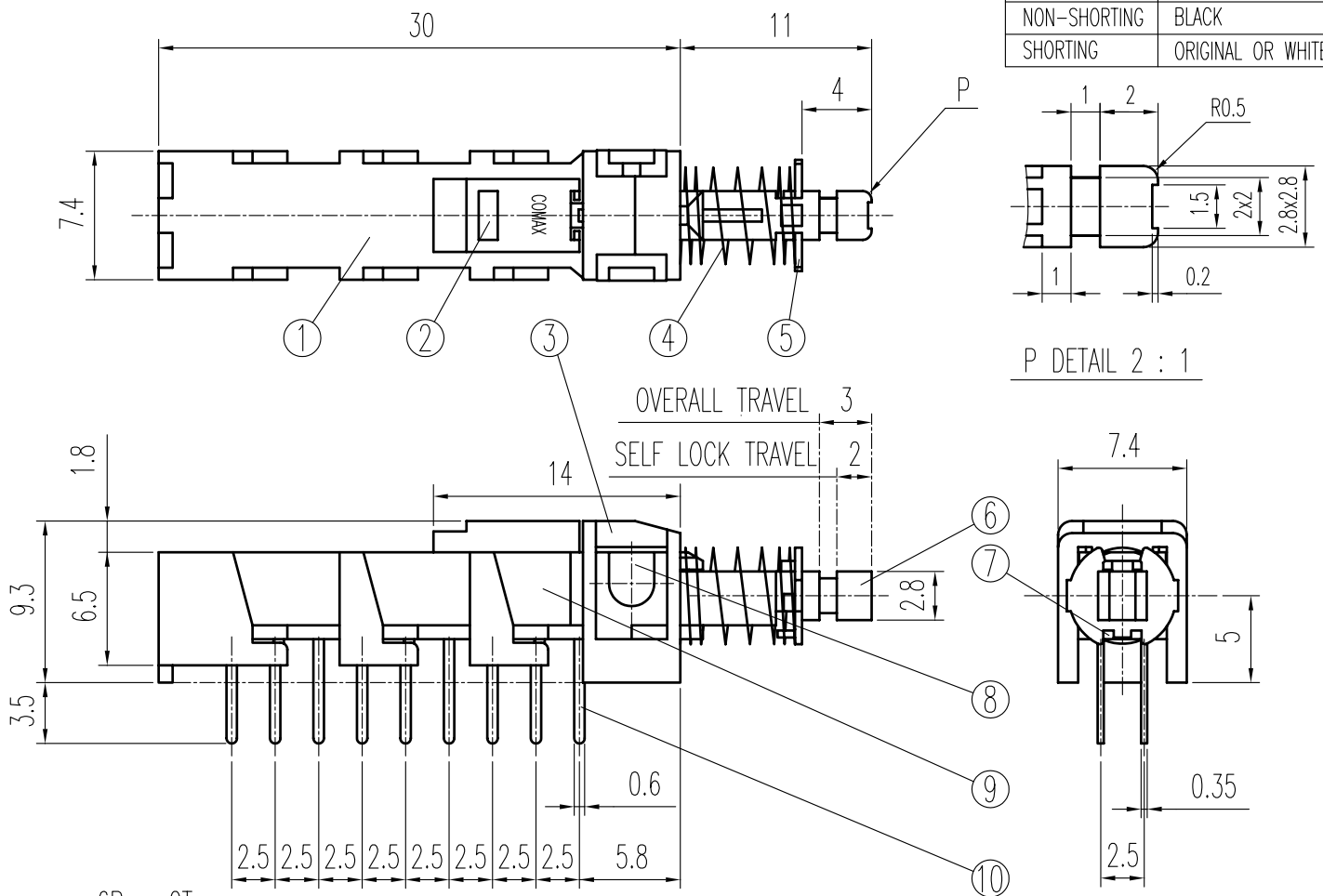


TIMING	KNOB COLOUR
NON-SHORTING	BLACK
SHORTING	ORIGINAL OR WHITE



P DETAIL 2 : 1

6P - 2T

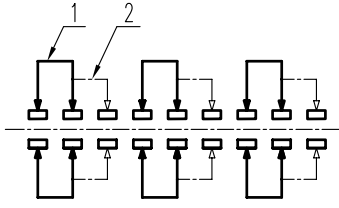
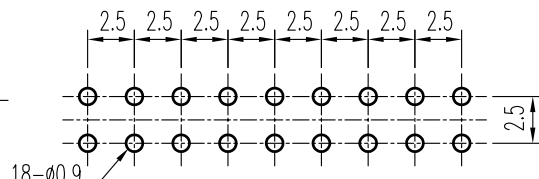


示意图 SCHEMATIC



安装孔 PIERCING PLAN

规格 Specifications

额定负荷 Ratings	DC 30 V 0.3 A
初期接触电阻 Initial Contact Resistance	30 mΩMax.
绝缘电阻 Insulation Resistance	DC 500 V 60 Sec. 100 MΩMin.
抗电强度 Dielectric Voltage	AC 500 V(50~60HZ) 60 Sec.

操作力 Operating Force(gf)	A ← B	
		300 ± 100 gf
机械寿命 Operating Life Without Load	(U)	400 ± 150 gf
		10,000 次 Cycles

10	端子 TERMINAL	C2680R	18	Ag PLATED
9	接触片 CONTACT CLIP	C5210R	6	Ag CLAD
8	锁针 LOCK HOOK	SUS	1	NATURAL
7	基板 TERMINAL BASE	PHENOL RESIN	1	YELLOW
6	胶柄 KNOB	POM	1	见上表
5	挡片 STOPPER	SPCC	1	Ni PLATED
4	弹簧 SPRING	SUS	1	NATURAL
3	胶夹 PLASTIC CLIP	POM	1	BLACK C
2	弹片 SPRING PLATE	C5210R	1	NATURAL
1	胶壳 CASE	PC	1	BLACK C

标号 REV	内容 DESCRIPTION	签名 SIGN.	日期 DATE
A03	负荷寿命变更为机械寿命见 (C)	刘红梅	2006-11-2
A02	修改见 (b)	曹文斌	06-07-11
A01	增加操作力: (U) 见 (a)	蔡维	15 DEC 05

序NO.	零件 PART	材料 MATERIAL	数量 QTY	备注 REMARKS	DWG NO.	ITEM0253
------	---------	-------------	--------	------------	---------	----------

TOLERANCES UNLESS OTHERWISE SPEC.		TITLE	PUSH BUTTON SWITCH		ITEM NO	PB-62D01-L _ _ _	
UNDER 1	± 0.10	DRAWN	刘红梅	2006-11-2	VERSION	A03	PAGE 1 OF 1
1 - 10	± 0.30	REVIEWED	张念明	2006-11-2	SCALE		UNIT mm
OVER 10	± 0.50	APPROVED	刘瑞富	2006-11-3	PROJECTION		

**COMAX** ELECTRONICS (HUIZHOU) CO.,LTD.