

| TIMING | KNOB COLOUR |
|--------------|-------------------|
| NON-SHORTING | BLACK |
| SHORTING | ORIGINAL OR WHITE |

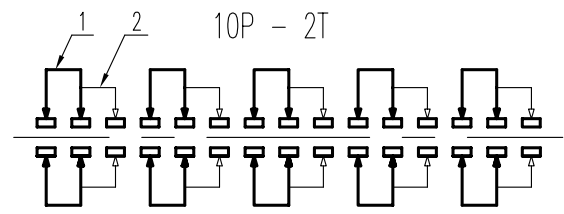
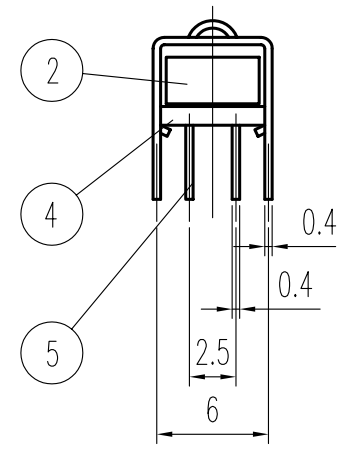
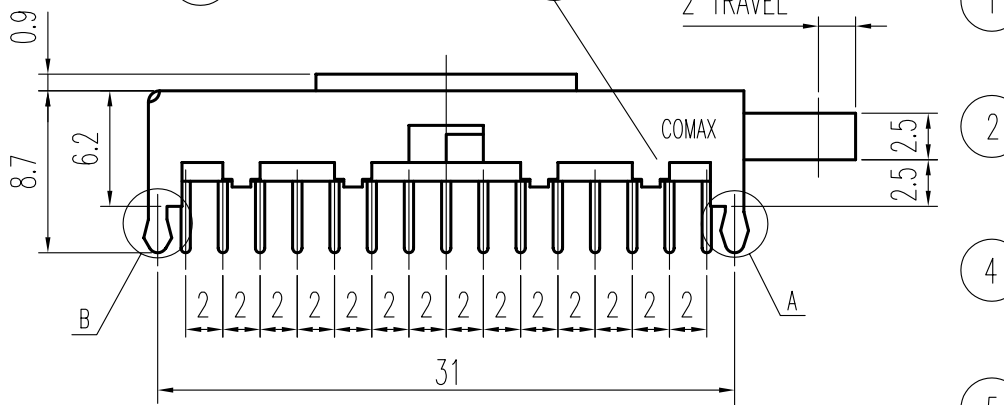
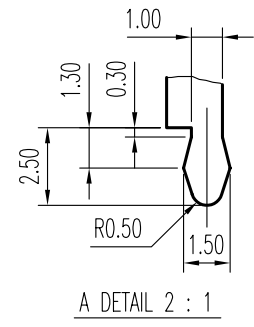
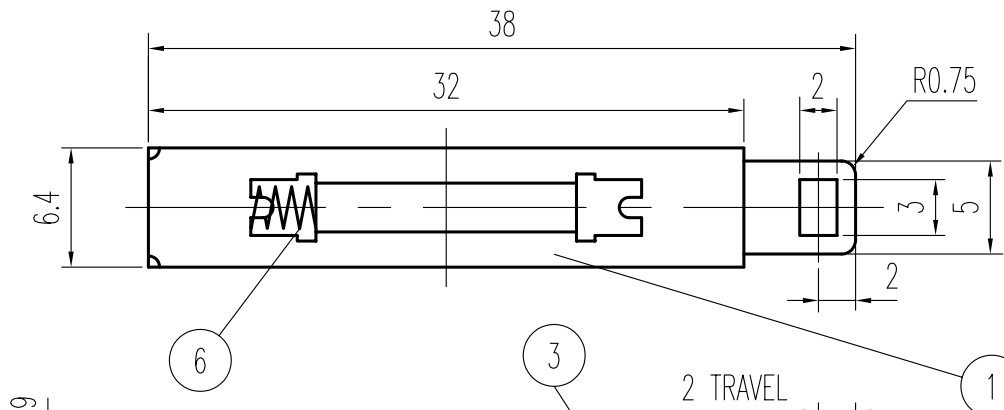
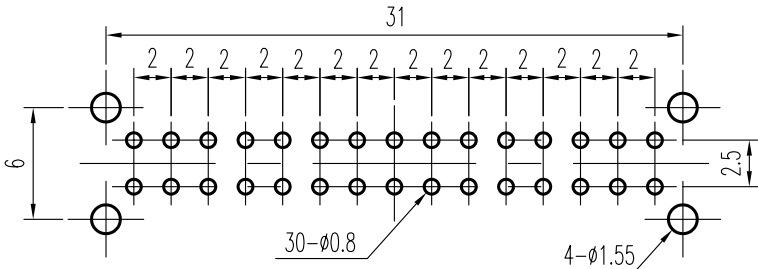
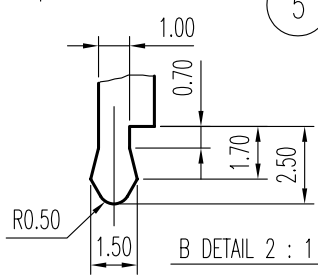


示意图 SCHEMATIC



安装孔 PIERCING PLAN

规格 Specifications

| | |
|-------------------------------------|------------------------------|
| 额定负荷 Ratings | DC 30_V 0.3_A |
| ① 初期接触电阻 Initial Contact Resistance | 30_mΩ Max. |
| 绝缘电阻 Insulation Resistance | DC 500_V 60_Sec. 100_MΩ Min. |
| 抗电强度 Dielectric | AC 500_V (50~60HZ) 60_Sec. |
| 操作力 Operating Force (gf) | 450±150 |
| ② 负荷寿命 Operating Life With Load | 10,000_次 Cycles |

| | | | | |
|------|------------------|--------------|--------|------------|
| 6 | 弹簧 SPRING | SUS | 1 | NATURAL |
| 5 | 端子 TERMINAL | C2680R | 30 | Ag PLATED |
| 4 | 基板 TERMINAL BASE | PHENOL RESIN | 1 | YELLOW |
| 3 | 接触片 CONTACT | C5210R | 10 | Ag CLAD |
| 2 | 胶柄 KNOB | P O M | 1 | 见上表 |
| 1 | 铁壳 FRAME | S P C C | 1 | Ni PLATED |
| 序NO. | 零件 PART | 材料 MATERIAL | 数量 QTY | 备注 REMARKS |

| | | | |
|--------|----------------------------|----------|-----------|
| A02 | 机械寿命 —— 负荷寿命 见 ① | 王光云 | 06-04-23 |
| | 接触阻抗 —— 初期接触电阻 见 ① | | |
| A01 | ADD: 规格 Specifications 见 ① | 王光荣 | 26 FEB 06 |
| 01 | | 赖立辉 | 8 SEP 00 |
| 标号 REV | 内容 DESCRIPTION | 签名 SIGN. | 日期 DATE |

DWG NO. ITEM1791

| TOLERANCES UNLESS OTHERWISE SPEC. | | TITLE | PUSH SWITCH | | ITEM NO | PS-102D13 | |
|-----------------------------------|--------|----------|-------------|----------|------------|-----------|-------------|
| UNDER 1 | ± 0.10 | DRAWN | 王光云 | 06-04-23 | VERSION | A02 | PAGE 1 OF 1 |
| 1 - 10 | ± 0.30 | REVIEWED | 张念明 | 06-04-25 | SCALE | | UNIT mm |
| OVER 10 | ± 0.50 | APPROVED | 林高全 | 06-04-26 | PROJECTION | | |

COMAX ELECTRONICS (HUIZHOU) CO.,LTD.