

TIMING	KNOB COLOUR
NON-SHORTING	BLACK
SHORTING	ORIGINAL OR WHITE

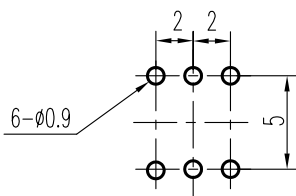
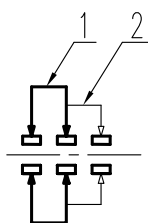
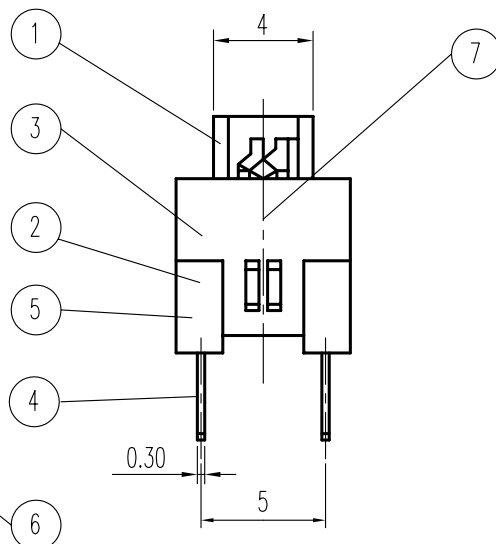
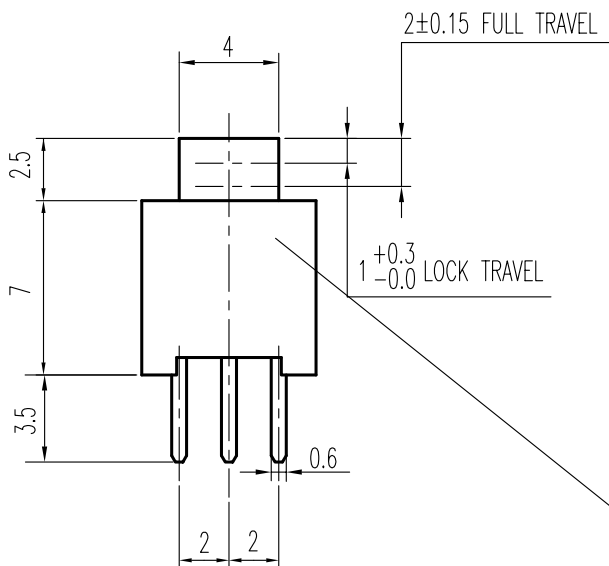


示意图 SCHEMATIC

安装孔 PIERCING PLAN

规格 Specifications

额定负荷 Ratings	DC 30 V 0.1 A
初期接触电阻 Initial Contact Resistance	30 mΩ Max.
绝缘电阻 Insulation Resistance	DC 500 V 60 Sec. 100 MΩ Min.
抗电强度 Dielectric	AC 500 V (50~60HZ) 60 Sec.

操作力 Operating Force	200±100 gf
① 负荷寿命 Operating Life With Load	10,000 次 Cycles

7	锁针 HOOK LOCK	SUS 304	1	Ni PLATED
6	弹簧 SPRING	SUS 304	1	NATURAL
5	接触片 CONTACT	C5210R	2	Ag CLAD
4	端子 TERMINAL	C2680R	6	Ag PLATED
3	胶盖 COVER	P O M	1	GREY
2	胶壳 HOUSING	PBT	1	BLACK
1	胶柄 KNOB	P O M	1	BLACK

A01	机械寿命 —— 负荷寿命 见标注: ①	蔡 维	06-04-04
P01	PS-2204 —— PS-2204-L 见标注: ①	蔡 维	05-09-30
标号 REV	内容 DESCRIPTION	签名 SIGN.	日期 DATE

序 NO.	零件 PART	材料 MATERIAL	数量 QTY	备注 REMARKS	DWG NO.	ITEM2564
-------	---------	-------------	--------	------------	---------	----------

TOLERANCES UNLESS OTHERWISE SPEC.		TITLE	PUSH SWITCH		ITEM NO	PS-2204-L ①	
UNDER 1	± 0.10	DRAWN	蔡 维	06-04-04	VERSION	A01	PAGE 1 OF 1
1 - 10	± 0.30	REVIEWED	张念明	06-04-04	SCALE		UNIT mm
OVER 10	± 0.50	APPROVED	林高全	06-04-04	PROJECTION		

**COMAX** ELECTRONICS (HUIZHOU) CO.,LTD.