

⑥

FORCE (gf)		KNOB COLOUR	OPERATING LIFE WITH LOAD
H	100 ±30	WHITE	100,000 Cycles
0	130 ±30	GREY/BLACK C	
1	160 ±30	BLACK C	
3	250 ±50	IVORY	50,000 Cycles

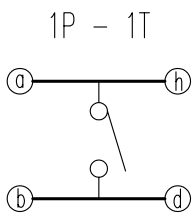
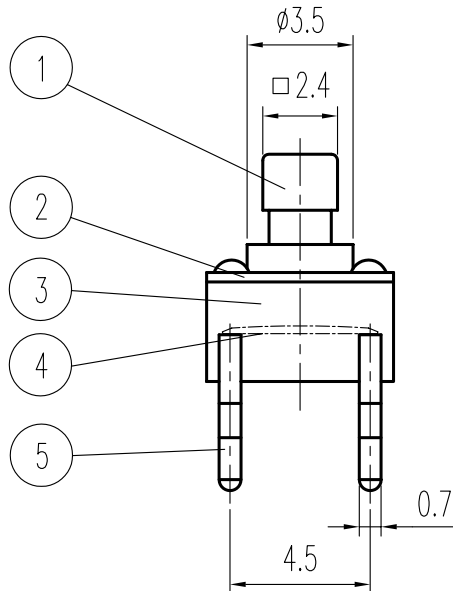
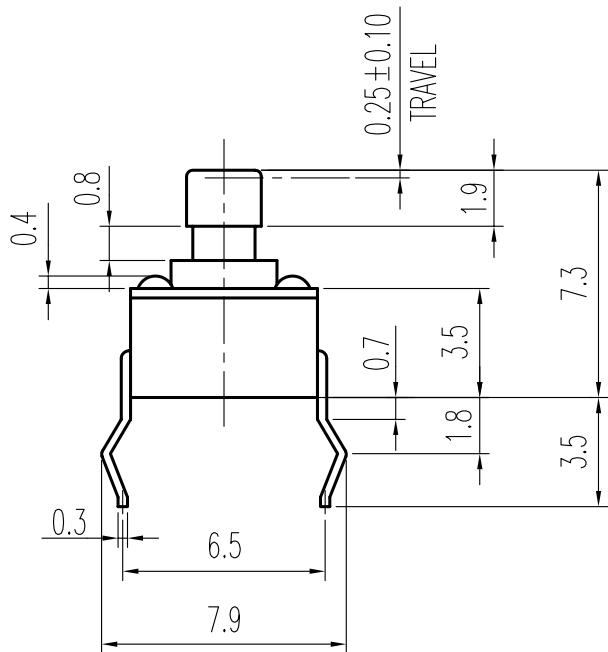
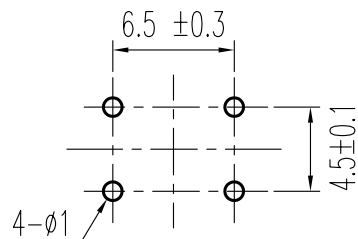


示意图 SCHEMATIC



安装孔 PIERCING PLAN

规格 Specifications

额定负荷 Ratings	DC 12_V 50mA
初期接触电阻 Initial Contact Resistance	100_mΩ Max.
绝缘电阻 Insulation Resistance	DC 100_V 60_Sec. 100_MΩ Min.
抗电强度 Dielectric	AC 250_V (50~60HZ) 60_Sec.
操作力 Operating Force	见上表
负荷寿命 Operating Life With Load	见上表

5	端子 TERMINAL	C2680R	4	Ag PLATED				
4	弹片 SPRING PLATE	C5210R	1	Ag CLAD				
3	胶壳 HOUSING	P B T	1	BLACK C	A03	修改操作力表栏	见 ⑥	刘红梅 06-05-06
2	胶盖 COVER	POLY FILM	1	NATURAL	A02	见 ①		陶海平 2005/9/2
1	胶柄 KNOB	PA	1		标号 REV	内容 DESCRIPTION	签名 SIGN.	日期 DATE
序NO.	零件 PART	材料 MATERIAL	数量 QTY	备注 REMARKS	DWG NO. ITEM2527			

TOLERANCES UNLESS OTHERWISE SPEC.		TITLE	TACT SWITCH		ITEM NO	RS-014B05		
UNDER 1	± 0.10	DRAWN	刘红梅	06-05-06	VERSION	A03	PAGE 1	OF 1
1 - 10	± 0.30	REVIEWED	张念明	06-05-08	SCALE		UNIT	mm
OVER 10	± 0.50	APPROVED	林高全	06-05-09	PROJECTION			

COMAX ELECTRONICS (HUIZHOU) CO.,LTD.