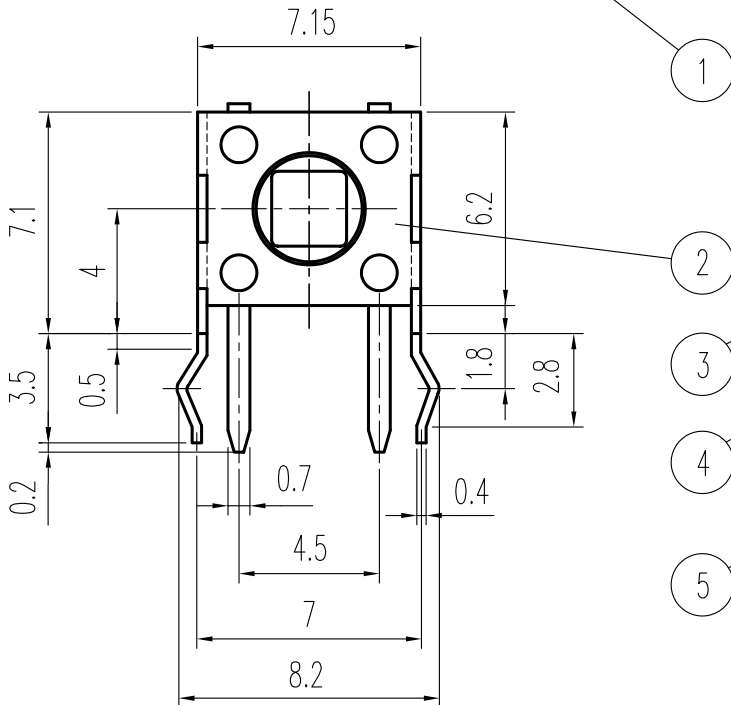


Ⓐ

	FORCE (gf)	KNOB COLOR	Operating Life With Load
H	100±30	WHITE	100,000 Cycles
0	130±30	GREY	
1	160±30	BLACK/RED	
3	250±50	IVORY	50,000 Cycles



1

2

3

4

5

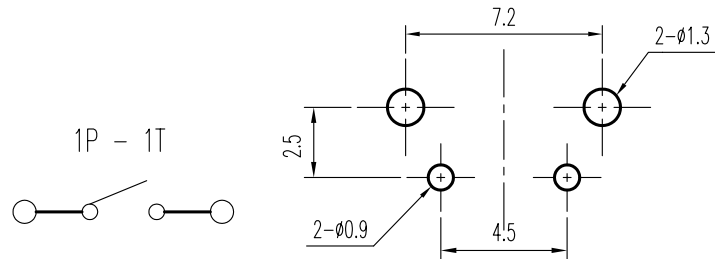
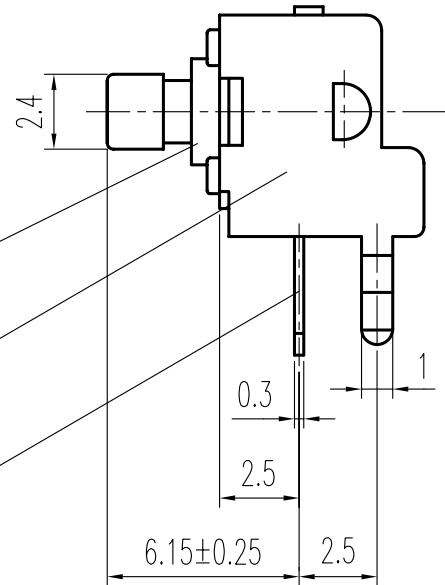


示意图 SCHEMATIC

安装孔 PIERCING PLAN

规格 Specifications

额定负荷 Ratings	DC 12 V 50 mA
初期接触电阻 Initial Contact Resistance	100 mΩ Max.
绝缘电阻 Insulation Resistance	DC100 V 60 Sec. 100 MΩ Min.
抗电强度 Dielectric	AC 250 V (50~60HZ) 60 Sec.
操作力 Operating Force	见上表
负荷寿命 Operating Life With Load	见上表

5	端子 TERMINAL	C2680R	2	Ag PLATED	A01	RS-022BF3 — RS-022B05F 见Ⓐ 增加操作力表栏 更改为新版本图框	刘红梅	06-05-16
4	弹片 SPRING PLATE	C5210R	1	Ag CLAD				
3	胶壳 HOUSING	P B T	1	BLACK C				
2	盖片 COVER	S P T E	1	NATURAL	01		赵福希	2004/9/7
1	胶柄 KNOB	P B T	1	见附表	标号 REV	内容 DESCRIPTION	签名 SIGN.	日期 DATE
序NO.	零件 PART	材料 MATERIAL	数量 QTY	备注 REMARKS	DWG NO. ITEM2400			

TOLERANCES UNLESS OTHERWISE SPEC.		TITLE	TACT SWITCH		ITEM NO	RS-022B05F Ⓐ		
UNDER 1	± 0.10	DRAWN	刘红梅	06-05-16	VERSION	A01	PAGE 1	OF 1
1 - 10	± 0.30	REVIEWED	张念明	06-05-16	SCALE		UNIT	mm
OVER 10	± 0.50	APPROVED	林高全	06-05-16	PROJECTION			

**COMAX** ELECTRONICS (HUIZHOU) CO.,LTD.