

|   |     |
|---|-----|
| H |     |
| A | 4.3 |
| B | 5   |

| FORCE (gf) |          | KNOB COLOR           | HOUSING COLOR |
|------------|----------|----------------------|---------------|
| 1          | 180 ± 50 | NATURAL(NK)          | NATURAL(NK)/  |
| 3          | 250 ± 50 | BLACK C(BK)/BLUE(BU) | BLACK C(BK)   |

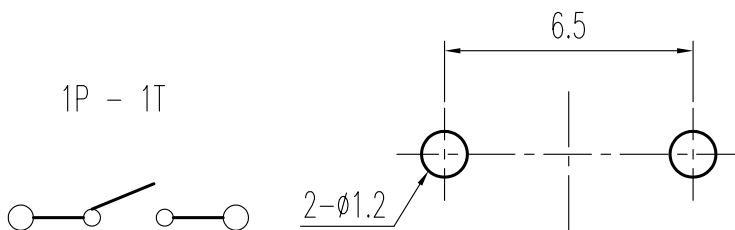
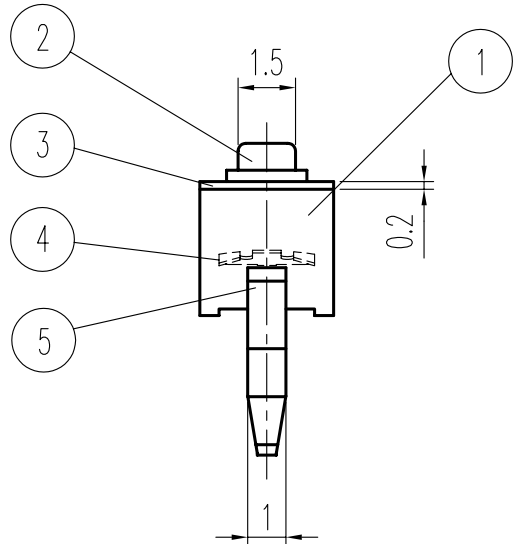
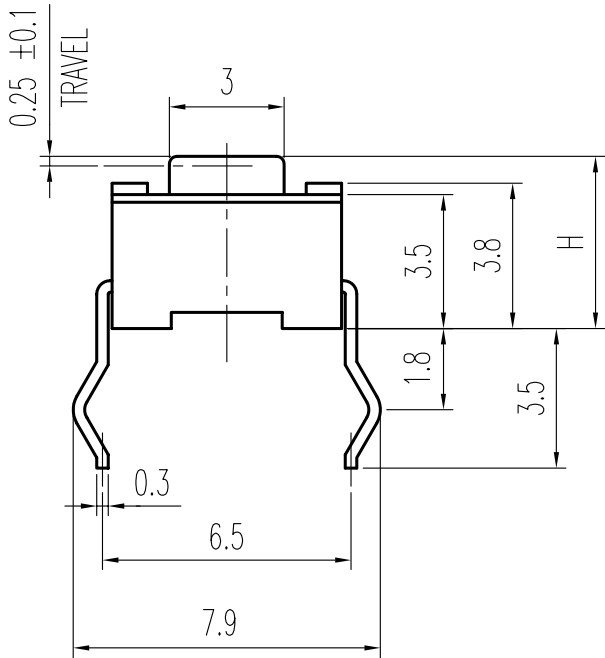


示意图 SCHEMATIC

安装孔 PIERCING PLAN

Specifications

|                                   |                              |
|-----------------------------------|------------------------------|
| 额定负荷 Ratings                      | DC 12 V 50 mA                |
| 初期接触电阻 Initial Contact Resistance | 100 mΩ Max.                  |
| 绝缘电阻 Insulation Resistance        | DC 100 V 60 Sec. 100 MΩ Min. |
| 抗电强度 Dielectric                   | AC 250 V (50~60HZ) 60 Sec.   |
| 操作力 见上表                           |                              |
| 负荷寿命 Operating Life With Load     | 30,000 次 Cycles              |

|      |                 |             |        |            |                  |                           |          |          |
|------|-----------------|-------------|--------|------------|------------------|---------------------------|----------|----------|
| 5    | 端子 TERMINAL     | C2680R      | 2      | Ag PLATED  | A02              | RS-032G05B → RS-032G05 见ⓐ | 刘红梅      | 06-04-13 |
| 4    | 弹片 SPRING PLATE | SUS ⓐ       | 1      | Ag CLAD    |                  | PA9T → PA 见ⓐ              |          |          |
| 3    | 盖片 COVER        | SUS ⓐ       | 1      | NATURAL    |                  | SUS 304 → SUS 见ⓐ          |          |          |
| 2    | 胶柄 KNOB         | PA ⓐ        | 1      | ——         |                  | SUS 301 → SUS 见ⓐ          |          |          |
| 1    | 胶壳 HOUSING      | PA ⓐ        | 1      | ——         | A01              |                           | 陶海平      | 05/10/20 |
| 序NO. | 零件 PART         | 材料 MATERIAL | 数量 QTY | 备注 REMARKS | 标号 REV           | 内容 DESCRIPTION            | 签名 SIGN. | 日期 DATE  |
|      |                 |             |        |            | DWG NO. ITEM2576 |                           |          |          |

|                                   |        |          |             |          |            |             |        |      |
|-----------------------------------|--------|----------|-------------|----------|------------|-------------|--------|------|
| TOLERANCES UNLESS OTHERWISE SPEC. |        | TITLE    | TACT SWITCH |          | ITEM NO    | RS-032G05 ⓐ |        |      |
| UNDER 1                           | ± 0.10 | DRAWN    | 刘红梅         | 06-04-13 | VERSION    | A02         | PAGE 1 | OF 1 |
| 1 - 10                            | ± 0.30 | REVIEWED | 张念明         | 06-04-13 | SCALE      |             | UNIT   | mm   |
| OVER 10                           | ± 0.50 | APPROVED | 林高全         | 06-04-14 | PROJECTION |             |        |      |

**COMAX** ELECTRONICS (HUIZHOU) CO.,LTD.