

(K)

FORCE (gf)		KNOB COLOUR
H	100 ±30	WHITE
0	130 ±30	GREY
1	160 ±30	BLACK

L	
A	4.3
B	5
C	7
D	9.5
E	8

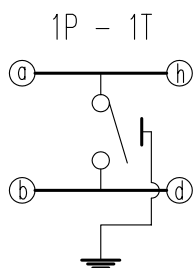
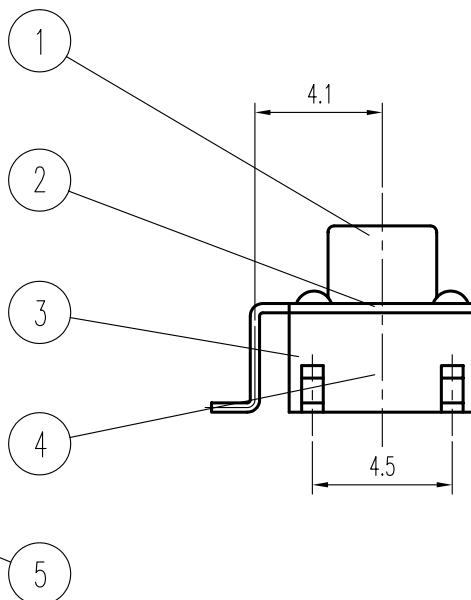
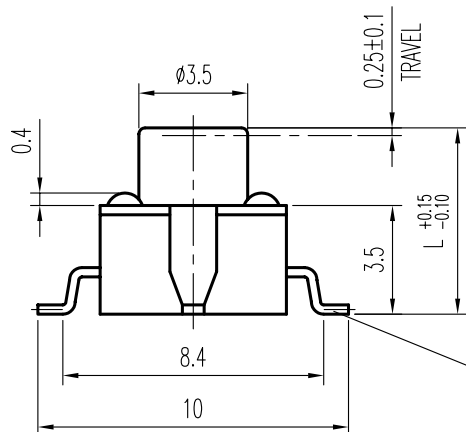
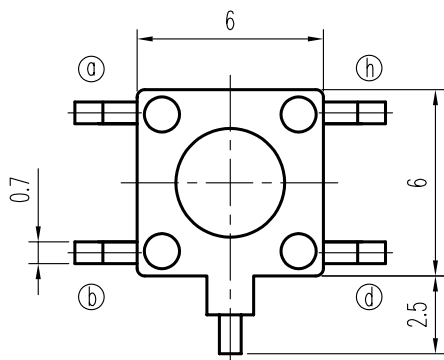
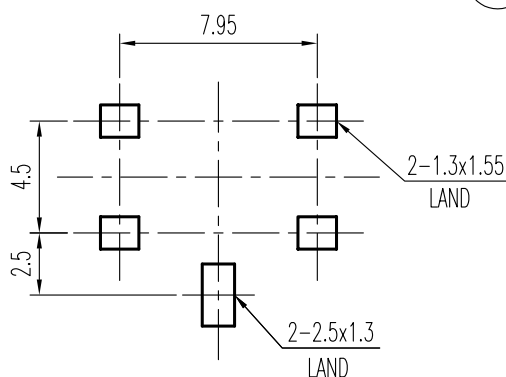


示意图 SCHEMATIC



安装孔 PIERCING PLAN

(K) 规格 Specifications

额定负荷 Ratings	DC 12 V 50 mA
初期接触电阻 Initial Contact Resistance	100mΩ Max.
绝缘电阻 Insulation Resistance	DC 100 V 60 Sec. 100MΩ Min.
抗电强度 Dielectric	AC 250 V(50~60HZ) 60 Sec.

操作力 Operating Force(gf)	操作力见上表
负荷寿命 Operating Life With Load	100,000 次 Cycles

(K)

序NO.	零件 PART	材料 MATERIAL	数量 QTY	备注 REMARKS	DWG NO.	ITEM1856	
5	端子 TERMINAL	C2680R	4	Ag PLATED	A01	取消250±50(gf)操作力规格见(K) 修改零件列表见(K) 增加规格栏见(K)	
4	弹片 CONTACT PLATE	C5210R	1	Ag CLAD			
3	胶壳 HOUSING	PA	1	BLACK			
2	盖片 COVER	SPTe	1	NATURAL	06	曹文斌 06-04-27	
1	胶柄 KNOB	PA	1	见上表	张德年 27 SEP 03		
					标号 REV	内容 DESCRIPTION	签名 SIGN. 日期 DATE

TOLERANCES UNLESS OTHERWISE SPEC.

UNDER 1

± 0.10

1 - 10

± 0.30

OVER 10

± 0.50

TITLE

TACT SWITCH

DRAWN

曹文斌

06-04-27

REVIEWED

张念明

06-04-28

APPROVED

林高全

06-04-28

ITEM NO

RS-044R

-SMA10

VERSION

A01

PAGE 1

OF 1

SCALE

UNIT

mm

PROJECTION



COMAX

ELECTRONICS (HUIZHOU) CO.,LTD.