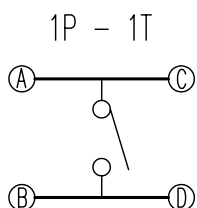
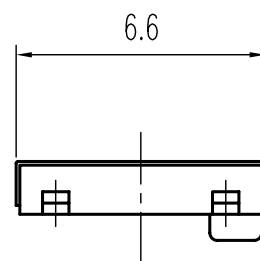
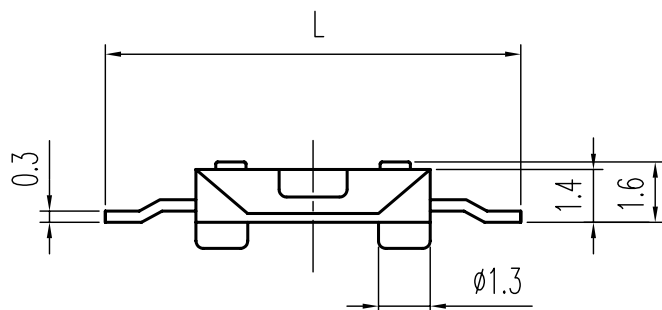


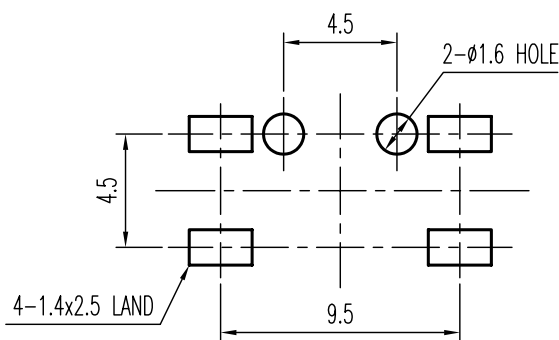
ITEM NO.	L
RS-054N01A□-A	10
RS-054N01A□-B	8

□	OPERATING FORCE (gf)
0	130 ±30
1	160 ±30
3	250 ±50

TRAVEL : 0.25 ±0.1



SCHEMATIC



PIERCING PLAN

5	TERMINAL									
4	CONTACT									
3	HOUSING									
2	COVER									
1	KNOB				REV	DESCRIPTION	SIGN.	DATE		
NO	PART	MATERIAL	QTY	REMARKS	VERSION 01	DWG NO. <u>ITEM2142</u>				
TOLERANCES UNLESS OTHERWISE SPEC.		TITLE	TACT SWITCH			ITEM NO.	RS-054N01A			
UNDER 1	± 0.10	DRAWN	Sun	14 AUG 02	SCALE	6 : 1	UNIT	mm		
1 - 10	± 0.30	APPROVED			PROJECTION					
OVER 10	± 0.50									

COMAX INDUSTRIAL CO., LTD.