

ITEM NO.	M	L
RS-164R20A□-A	2.5	8.3
RS-164R20A□-B	2.5	10
RS-164R20B□-A	3.1	8.3
RS-164R20B□-B	3.1	10

□	OPERATING FORCE(gf)	OPERATING LIFE WITH LOAD
H	100 ±30	100,000 Cycles
0	130 ±30	
1	160 ±30	
2	200 ±50	
3	250 ±50	50,000 Cycles

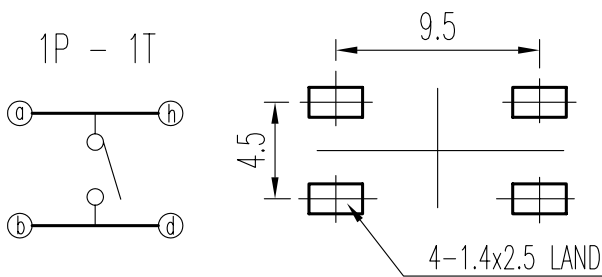
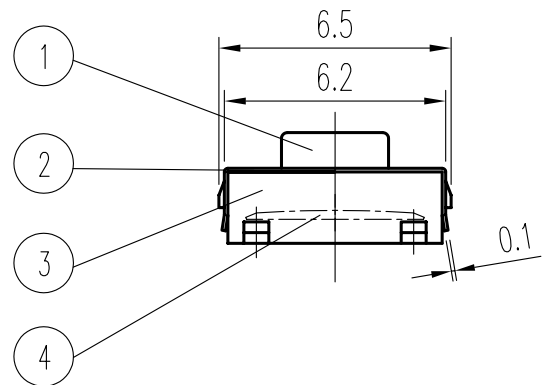
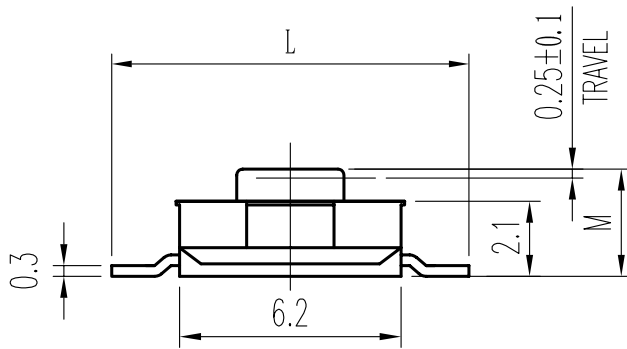


示意图 SCHEMATIC

安装孔 PIERCING PLAN

Specifications

额定负荷 Ratings	DC 12_V 50_mA
初期接触电阻 Initial Contact Resistance	100_mΩ Max.
绝缘电阻 Insulation Resistance	DC 100V 60_Sec. 100_MΩ Min.
抗电强度 Dielectric	AC 250_V (50~60HZ) 60_Sec.
操作力 Operating Force	操作力见上表
负荷寿命 Operating Life With Load	负荷寿命见上表

序NO.	零件 PART	材料 MATERIAL	数量 QTY	备注 REMARKS
4	弹片 SPRING PLATE	SUS ①	1	NATURAL
3	胶壳 HOUSING	PA/C2680R	1	BLACK
2	盖片 COVER	SUS ①	1	NATURAL
1	胶柄 KNOB	PA	1	RED

A03	ADD: 200±50	见标记 ①	刘红梅	06-03-27
	C7701 ⇔ SUS	见标记 ①		
	C5210R ⇔ SUS	见标记 ①		
A02	8.0 ⇔ 8.3	见标记 ①	刘红梅	06-01-16
A01			饶品旺	05-11-15
标号 REV	内容 DESCRIPTION	签名 SIGN.	日期 DATE	
DWG NO.		ITEM2577		

TOLERANCES UNLESS OTHERWISE SPEC.		TITLE	TACT SWITCH		ITEM NO	RS-164R20		
UNDER 1	± 0.10	DRAWN	刘红梅	06-03-27	VERSION	A03	PAGE 1	OF 1
1 - 10	± 0.30	REVIEWED	张念明	06-03-28	SCALE		UNIT	mm
OVER 10	± 0.50	APPROVED	林高全	06-03-28	PROJECTION			

COMAX ELECTRONICS (HUIZHOU) CO.,LTD.