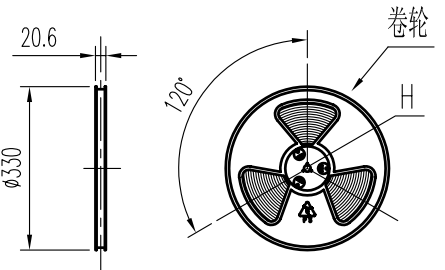
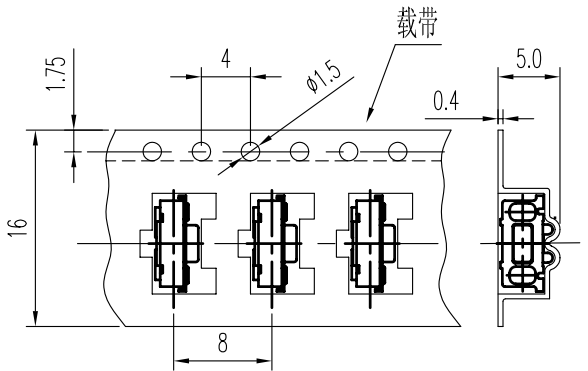
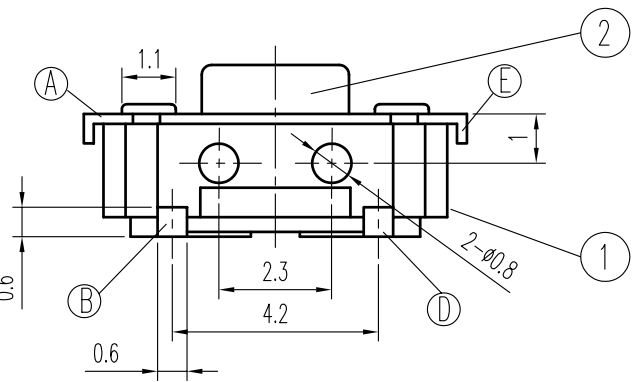
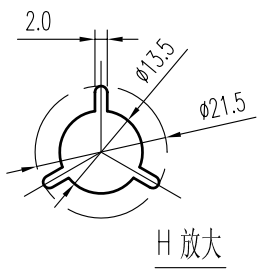
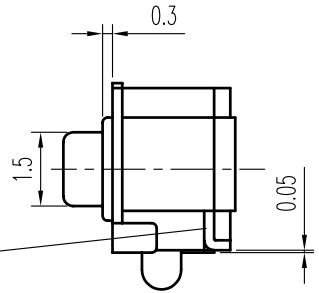
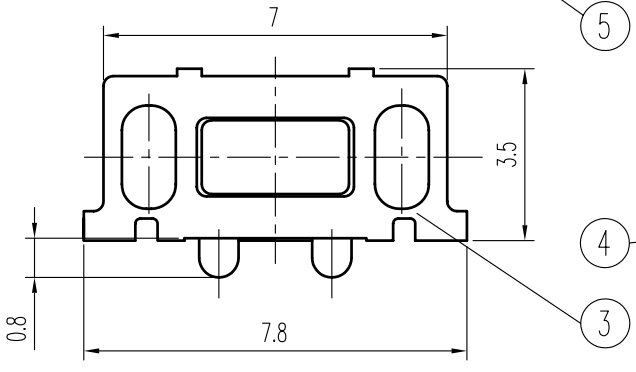


FORCE (gf)		KNOB COLOUR
0	130 ±30	GREY
1	180 ±50	BLACK C
3	250 ±50	BLUE



卷轮载带包装: 总共1700PCS/轮

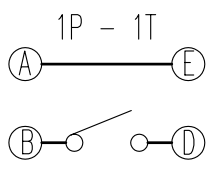
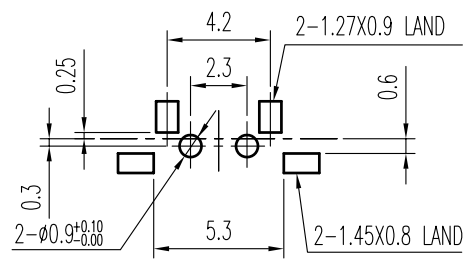


示意图 SCHEMATIC



安装孔 PIERCING PLAN

规格 Specifications

额定负荷 Ratings	DC 12 V 50 mA
初期接触电阻 Initial Contact Resistance	100 mΩ Max.
绝缘电阻 Insulation Resistance	DC 100 V 60 Sec. 100 MΩ Min.
抗电强度 Dielectric Voltage	AC 250 V (50~60HZ) 60 Sec.
操作力 Operating Force (gf)	操作力见上表
负荷寿命 Operating Life With Load	30,000 次 Cycles

序NO.	零件 PART	材料 MATERIAL	数量 QTY	备注 REMARKS
5	弹片 SPRING PLATE	SUS	1	NATURAL
4	端子 TERMINAL	C2680R	2	Ag PLATED
3	盖片 COVER	SPTE	1	Sn PLATED
2	胶柄 KNOB	PA	1	见上表
1	胶壳 HOUSING	PA	1	NATURAL

标号 REV	内容 DESCRIPTION	签名 SIGN.	日期 DATE

TOLERANCES UNLESS OTHERWISE SPEC.		TITLE	TACT SWITCH		ITEM NO	RS-188G05A _-EM RT		
UNDER 1	± 0.10	DRAWN	王小东	2006-11-3	VERSION	A01	PAGE 1	OF 1
1 - 10	± 0.30	REVIEWED	张念明	2006-11-3	SCALE		UNIT	mm
OVER 10	± 0.50	APPROVED	刘瑞富	2006-11-3	PROJECTION			

COMAX ELECTRONICS (HUIZHOU) CO.,LTD.