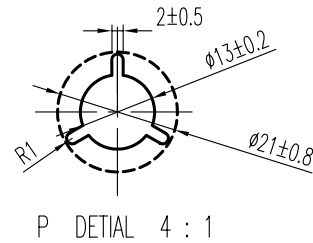
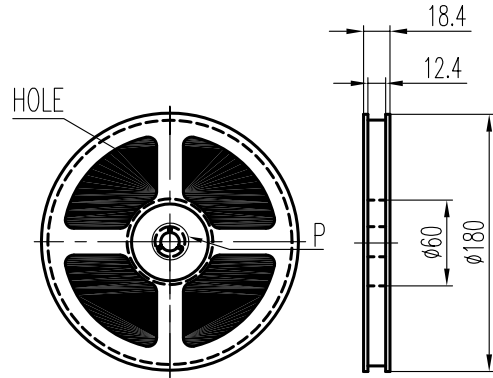
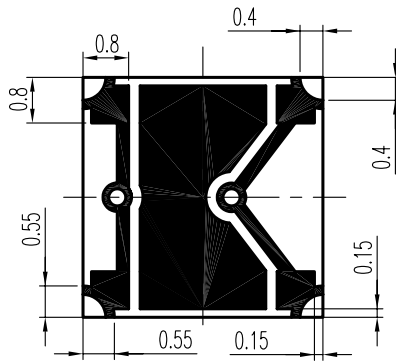
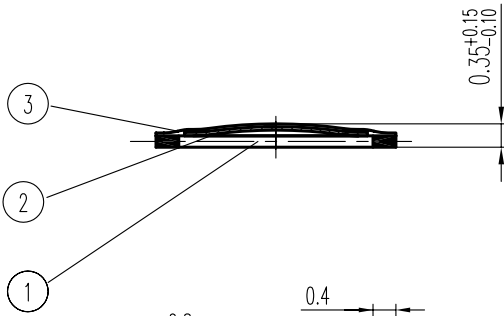
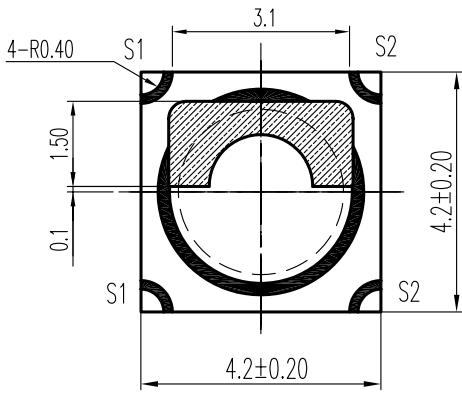


规格 Specifications

额定负荷 Rdtngs	DC 12 V 20 mA
初期接触电阻 Initial Contact Resistance	100 mΩ Max.
绝缘电阻 Insulation Resistance	DC 100 V 60 Sec. 100 MΩ Min.
抗电强度 Dielectric	AC 250 V (50~60HZ) 60 Sec.

操作力 Operating Force (gf)	1	3
	160 ± 50	250 ± 50
负荷寿命 Operating Life With Load	500,000 次 cycles	



NOTE:

1.2500 pcs for one reel.

2.The figure of HOLE may be have some change.

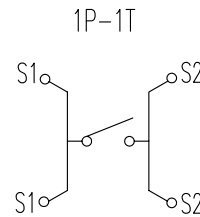
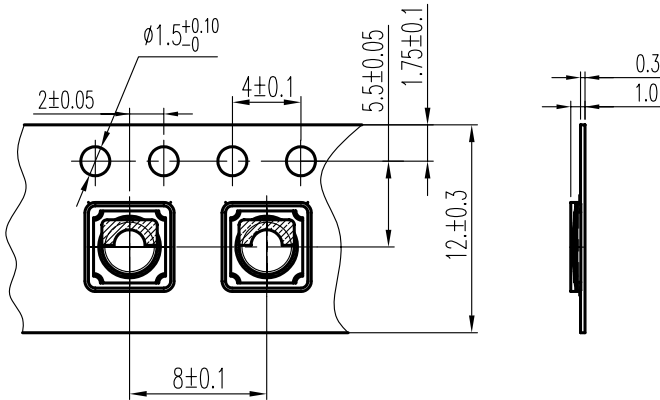
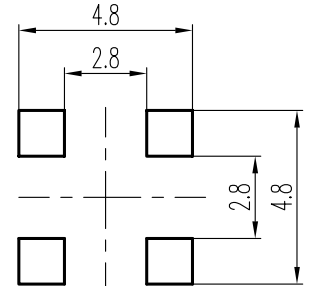


示意图 SCHEMATIC



安装孔 PIERCING PLAN

3	防尘胶 SEAL PLATE	POLYIMIDE	1				
2	弹片 DOME PLATE	SUS	1				
1	基板 PCB	FR-4	1				
序NO.	零件 PART	材料 MATERIAL	数量 QTY	备注 REMARKS	标号 REV	内容 DESCRIPTION	签名 SIGN. 日期 DATE
					DWG NO. ITEM2492		

TOLERANCES UNLESS OTHERWISE SPEC.		TITLE	TACT SWITCH		ITEM NO	RS-190NB_ RT	
UNDER 1	± 0.10	DRAWN	王光云	06-04-14	VERSION	A01	PAGE 1 OF 1
1 - 10	± 0.30	REVIEWED	张念明	06-04-14	SCALE		UNIT mm
OVER 10	± 0.50	APPROVED	林高全	06-04-14	PROJECTION		

**COMAX** ELECTRONICS (HUIZHOU) CO.,LTD.