

操作力 OPERATING FORCE(gf)		胶柄颜色 KNOB COLOUR	负荷寿命 OPERATING LIFE WITH LOAD
H	100±30	WHITE	100,000次(Cycles)
0	130±30	GREY	
1	160±30	BLACK	
3	250±50	IVORY	50,000次(Cycles)

L	
A	3.15
B	3.85
C	5.85
D	8.35
E	6.85
F	6.15
G	12.35
H	11.35

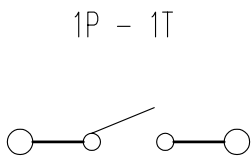
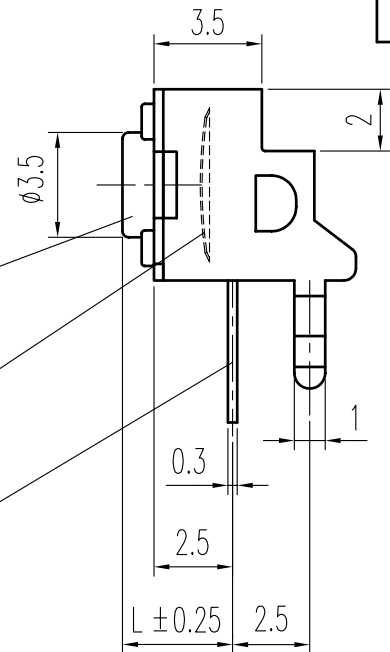
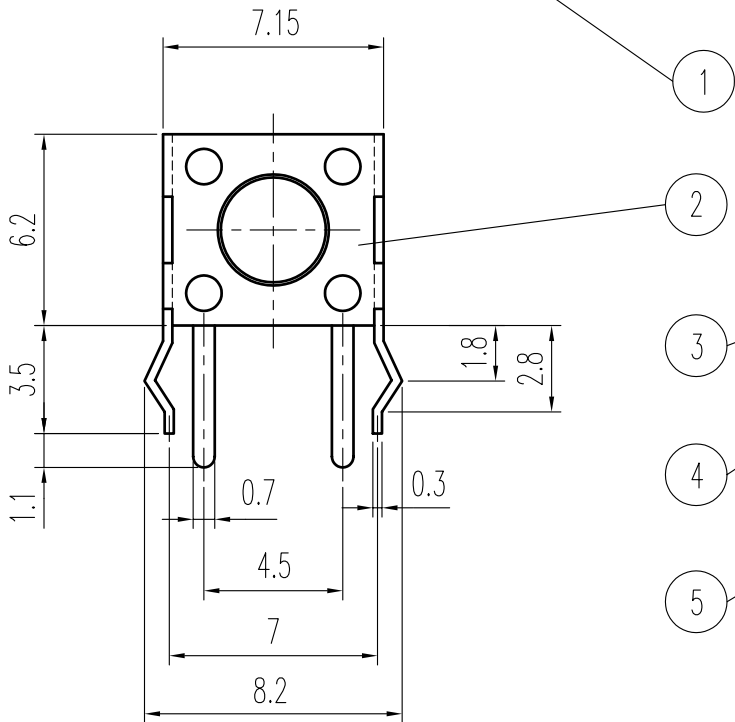
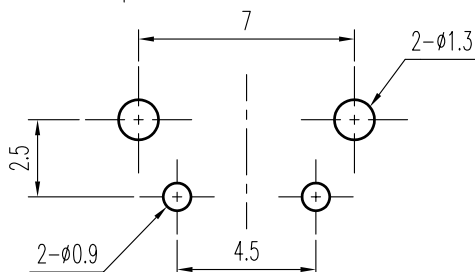


示意图 SCHEMATIC



安装孔 PIERCING PLAN

规格 Specifications

额定负荷 Ratings	DC 12_V 50mA
接触阻抗 Contact Resistance	100_mΩMax.
绝缘阻抗 Insulation Resistance	DC 100_V 60_Sec.100_MΩMin.
抗电强度 Dielectric Voltage	AC 250_V(50~60HZ) 60_Sec.

5	端子 TERMINAL	C2680R	2	Ag PLATED							
4	接触片 CONTACT PLATE	C5210R	1	Ag CLAD	A03	6.3	→	6.4	见 ①	王光云	2006-10-18
3	胶柄 KNOB	P B T	1	见上表	A02	机械寿命	→	负荷寿命	见 ②	谢柳恒	17-3-06
2	盖片 COVER PLATE	S P T E	1	NATURAL	A01	0.8	→	1.1	见 ①	孙建超	11-5-05
1	胶壳 HOUSING	P B T	1	NATURAL	标号 REV	内容	DESCRIPTION	签名 SIGN.	日期 DATE		
序NO.	零件 PART	材料 MATERIAL	数量 QTY	备注 REMARKS	DWG NO. ITEM2265						

TOLERANCES UNLESS OTHERWISE SPEC.		TITLE	TACT SWITCH		ITEM NO	RS-422R	
UNDER 1	± 0.10	DRAWN	王光云	2006-10-18	VERSION	A03	PAGE 1 OF 1
1 - 10	± 0.30	REVIEWED	张念明	2006-10-19	SCALE	—	UNIT mm
OVER 10	± 0.50	APPROVED	刘瑞富	2006-10-19	PROJECTION		

**COMAX** ELECTRONICS (HUIZHOU) CO.,LTD.