

额定负荷 Ratings	DC 5 V 1m A
接触阻抗 Contact Resistance	1 Ω Max.
绝缘阻抗 Insulation Resistance	DC 100V 60 Sec. 100 MΩ Min.
抗电强度 Dielectric Voltage	AC 250 V(50~60HZ) 60 Sec.
第1段操作力 Operating Force	80±30 gf
第1段接触行程 Pre Travel	0.4±0.1 mm
第2段操作力 Operating Force	180±50 gf
第2段接触行程 Pre Travel	0.3±0.1 mm
转动操作力 Operating Force	150±50 gf
转动行程 Travel	36°
推按机械寿命 Operating Life Without Load	10,000 次cycles
转动机械寿命 Operating Life Without Load	10,000 次cycles

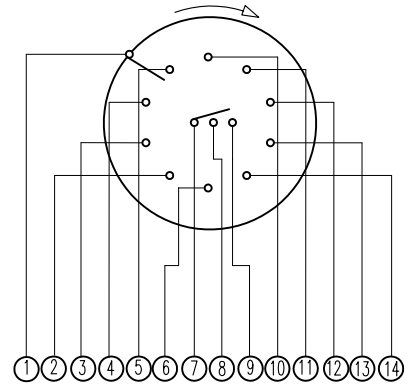
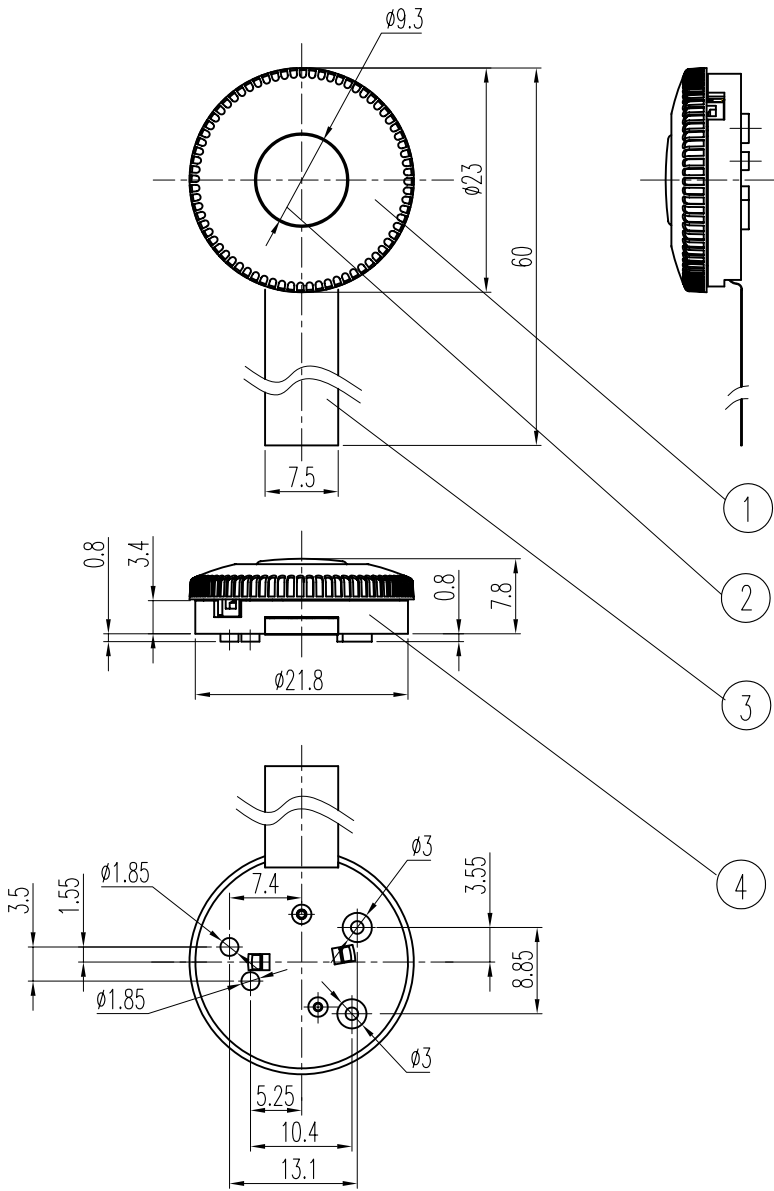
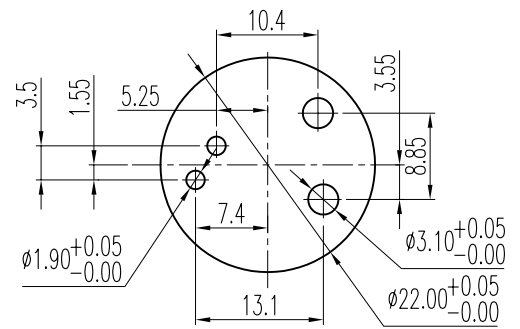


示意图 SCHEMATIC



安装孔 PIERCING PLAN

8	旋钮 ROTARY	POM	1	BLACK				
7	滑块 SLIDER	POM	1	BLACK				
6	接触片1 CONTACT-1	C5210R-EH/Ag CLAD	1	NATURAL				
5	接触片2 CONTACT-2	C5210R-EH	1	NATURAL				
4	胶壳 HOUSE	ABS	1	WHITE				
3	软性电路板 FPC		1					
2	胶柄 KNOB	ABS	1	WHITE				
1	胶盖 COVER	ABS	1	WHITE	标号REV	内容 DESCRIPTION	签名 SIGN.	日期 DATE
序号 NO.	零件 PART	材料 MATERIAL	数量 QTY	备注 REMARKS	DWG NO. _____			

TOLERANCES UNLESS OTHERWISE SPEC.		TITLE	ROTARY SWITCH		ITEM NO	RW-310		
UNDER 1	± 0.10	DRAWN	Chen	07 MAY 04	VERSION	01	PAGE 1 OF 1	
1 - 10	± 0.30	REVIEWED			SCALE		UNIT	mm
OVER 10	± 0.50	APPROVED			PROJECTION			

COMAX INDUSTRIAL CO., LTD .