

局部放大图 P 2.5 : 1

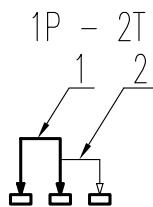
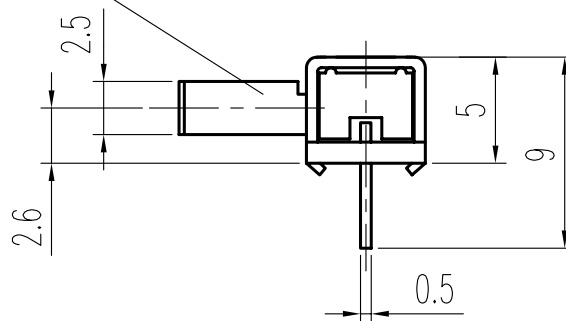
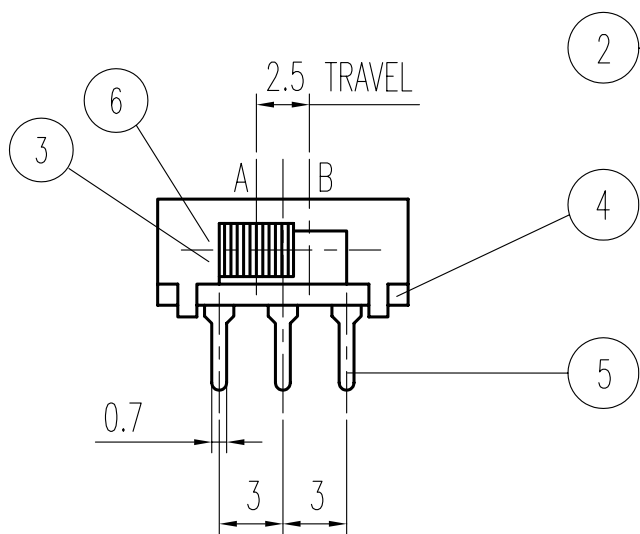
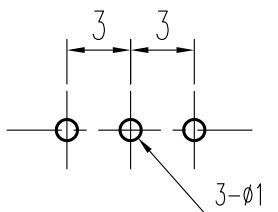


示意图 SCHEMATIC



安装孔 PIERCING PLAN

① 规格 Specifications

额定负荷 Ratings	DC 30 V 0.3 A
初期接触电阻 Initial Contact Resistance	30 mΩ Max.
绝缘电阻 Insulation Resistance	DC 500 V 60 Sec 100 MΩ Min.
抗电强度 Dielectric Voltage	AC 500 V (50~60HZ) 60 Sec.

操作力 Operating Force (gf)	A → B	B → A
	200 ± 100	200 ± 100
负荷寿命 Operating Life With Load	10,000 Cycles	

6	弹簧 SPRING	STEEL	1	NATURAL
5	端子 TERMINAL	C2680R ①	3	Ag PLATED
4	基板 TERMINAL BASE	PHENOL RESIN	1	YELLOW
3	接触片 CONTACT	COPPER WIRE	1	Ag PLATED
2	胶柄 KNOB	P O M	1	G 2 - 9
1	铁壳 FRAME	S P C C	1	Ni PLATED
序NO.	零件 PART	材料 MATERIAL	数量 QTY	备注 REMARKS

A01	新增规格表栏	见 ①	刘红梅	06-06-13
01	C2680R-H → C2680R	见 ①	易金平	04 JUL 03
标号 REV	内容 DESCRIPTION	签名 SIGN.	日期 DATE	
DWG NO. ITEM2240				

TOLERANCES UNLESS OTHERWISE SPEC.		TITLE	SIDE KNOB SLIDE SWITCH		ITEM NO	SK-12E03-G		
UNDER 1	± 0.10	DRAWN	刘红梅	06-06-13	VERSION	A01	PAGE 1	OF 1
1 - 10	± 0.30	REVIEWED	张念明	06-06-13	SCALE		UNIT	mm
OVER 10	± 0.50	APPROVED	高洪	06-06-14	PROJECTION			

COMAX ELECTRONICS (HUIZHOU) CO.,LTD.