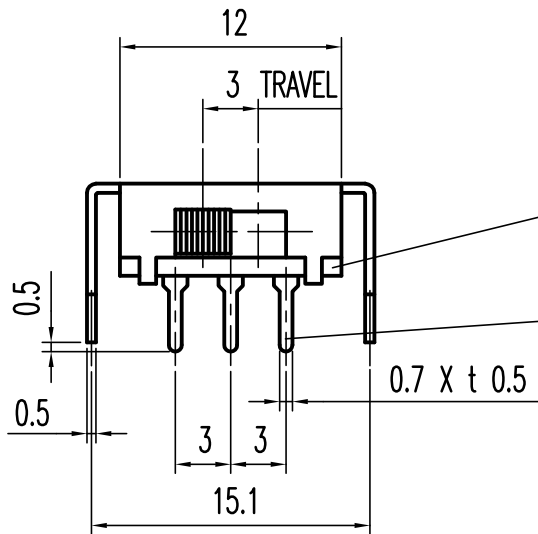


P DETAIL 8 : 1

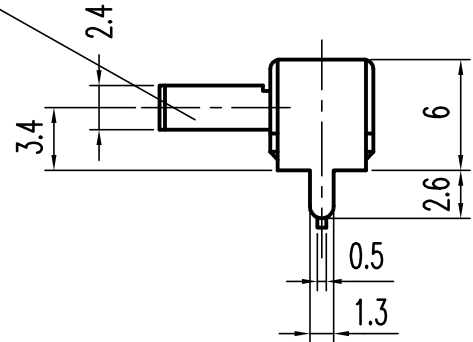
1



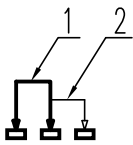
2

4

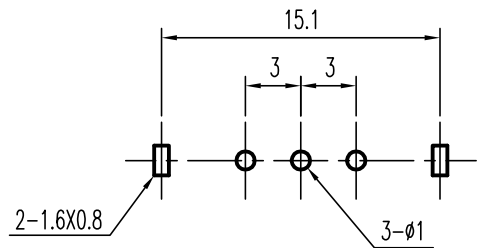
5



1P - 2T



SCHEMATIC



PIERCING PLAN

5	TERMINAL	C2680R-EH	3	Ag PLATED				
4	TERMINAL BASE	PHENOL RESIN	1	NATURAL				
3	CONTACT	COPPER WIRE	1	Ag PLATED				
2	KNOB	P O M	1	G 2 - 9				
1	FRAME	S P C C	1	Ni PLATED	REV	DESCRIPTION	SIGN.	DATE
NO	PART	MATERIAL	QTY	REMARKS	VERSION 01	DWG NO. ITEM0542		

TOLERANCES UNLESS OTHERWISE SPEC.

UNDER 1	± 0.10
1 - 10	± 0.30
OVER 10	± 0.50

TITLE	SIDE KNOB SLIDE SWITCH	ITEM NO.	SK-12F02-G
DRAWN	L. F. L A I	29 JUN 92	SCALE 3 : 1
APPROVED			UNIT mm
			PROJECTION

COMAX INDUSTRIAL CO., LTD.