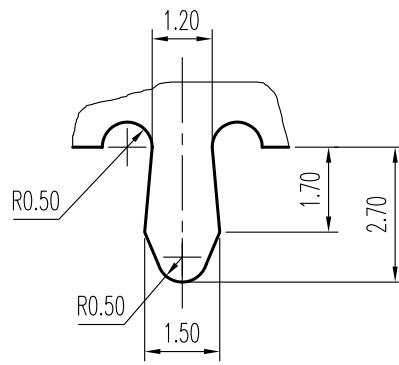
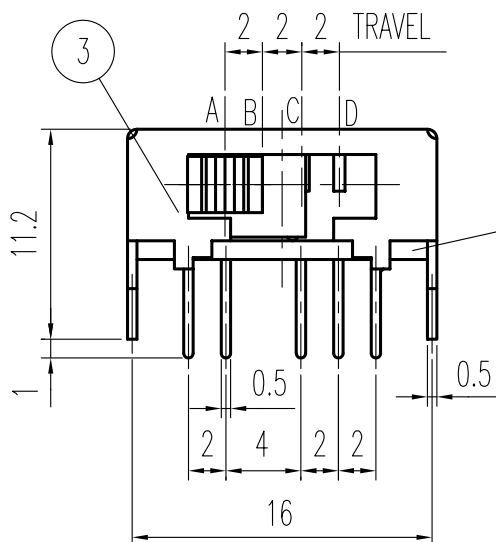


P DETAIL 2.5 : 1



K DETAIL 2 : 1



1

2

4

5

6

7

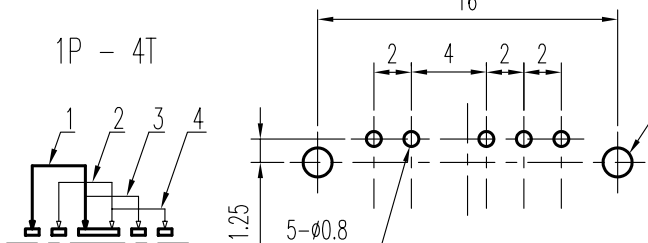


示意图 SCHEMATIC

安装孔 PIERCING PLAN

规格 Specifications

额定负荷 Ratings	DC 30 V 0.3 A
初期接触电阻 Initial Contact Resistance	30 mΩ Max.
绝缘电阻 Insulation Resistance	DC 500 V 60 Sec. 100 MΩ Min.
抗电强度 Dielectric Voltage	AC 500 V (50~60HZ) 60 Sec.

操作力 Operating Force (gf)	A → B B → C C → D D → C C → B B → A
负荷寿命 Operating Life With Load	200 ± 100 250 ± 150 300 ± 150
负荷寿命 Operating Life With Load	10,000 Cycles

序号 NO.	零件 PART	材料 MATERIAL	数量 QTY	备注 REMARKS
7	钢珠 STEEL BALL	STEEL	1	NATURAL
6	弹簧 SPRING	STEEL	1	NATURAL
5	端子 TERMINAL	C2680R	5	Ag PLATED
4	基板 TERMINAL BASE	PHENOL RESIN	1	YELLOW
3	接触片 CONTACT	C5210R	1	Ag CLAD
2	胶柄 KNOB	P O M	1	G 4 - 9 ①
1	铁壳 FRAME	S P C C	1	Sn PLATED

A01	G 4, 6, 7, 8, 9 → G 4 - 9 见 ① ADD: 规格 Specifications 见 ① 修改材料表栏 见 ①	刘红梅	06-06-17
01		易金平	03/8/30
标号 REV	内容 DESCRIPTION	签名 SIGN.	日期 DATE

TOLERANCES UNLESS OTHERWISE SPEC.		TITLE		SIDE KNOB SLIDE SWITCH		ITEM NO		SK-14D24-G	
UNDER 1	± 0.10	DRAWN	刘红梅	06-06-17	VERSION	A01	PAGE	1	OF 1
1 - 10	± 0.30	REVIEWED	张念明	06-06-17	SCALE		UNIT	mm	
OVER 10	± 0.50	APPROVED	高洪	06-06-17	PROJECTION				

**COMAX** ELECTRONICS (HUIZHOU) CO.,LTD.