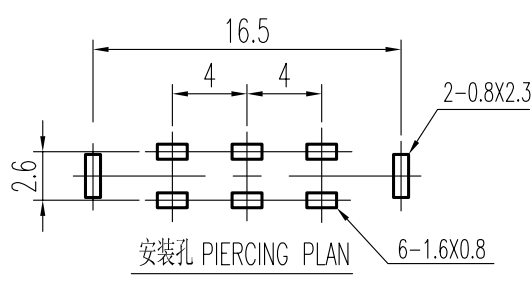
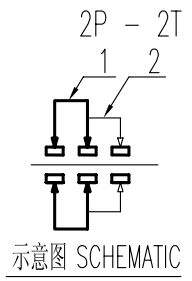
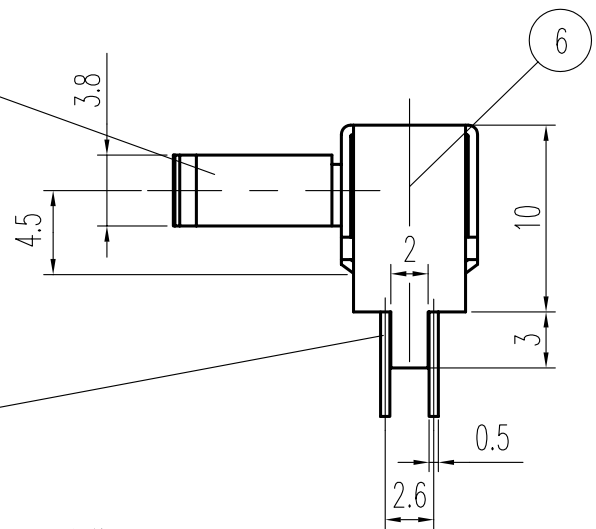
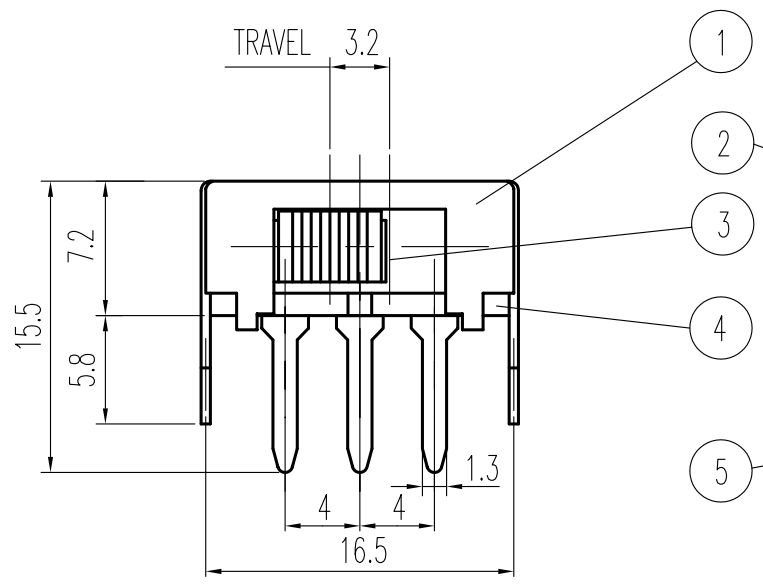


P DETAIL 5 : 1



◎规格 Specifications

额定负荷 Ratings	DC 30 V 0.3 A
初期接触电阻 Initial Contact Resistance	30 mΩ Max.
绝缘电阻 Insulation Resistance	DC 500 V 60 Sec. 100 MΩ Min.
抗电强度 Dielectric	AC 500 V (50~60HZ) 60 Sec.

操作力 Operating Force (gf)	(Q)	
	A-B	B-A
负荷寿命 Operating Life With Load	300±100	250±100
	10,000 次 Cycles	

6	弹簧 SPRING	STEEL	2	NATURAL
5	端子 TERMINAL	C2680R ◎	6	Ag PLATED
4	基板 TERMINAL BASE	PHENOL RESIN	1	BLACK
3	接触片 CONTACT	COPPER WIRE	2	Ag PLATED
2	胶柄 KNOB	P O M	1	G 4 - 16
1	铁壳 FRAME	S P C C	1	Ni PLATED
序号 NO.	零件 PART	材料 MATERIAL	数量 QTY	备注 REMARKS

A01	ADD: 规格 Specifications 见 ◎	王光云	06-03-27
	C2680R-EH → C2680R 见 ◎		
01		易金平	18 SEP 03
标号 REV	内容 DESCRIPTION	签名 SIGN.	日期 DATE
DWG NO. ITEM2255			

TOLERANCES UNLESS OTHERWISE SPEC.		TITLE	SIDE KNOB SLIDE SWITCH		ITEM NO	SK-22F13-G	
UNDER 1	± 0.10	DRAWN	王光云	06-03-27	VERSION	A01	PAGE 1 OF 1
1 - 10	± 0.30	REVIEWED	张念明	06-03-27	SCALE		UNIT mm
OVER 10	± 0.50	APPROVED	高洪	06-03-27	PROJECTION		

**COMAX** ELECTRONICS (HUIZHOU) CO.,LTD.