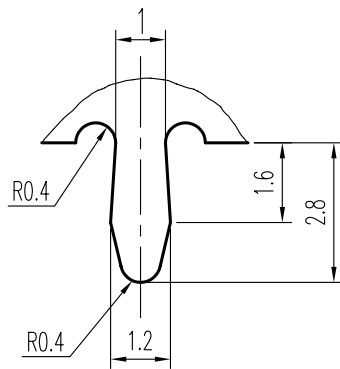
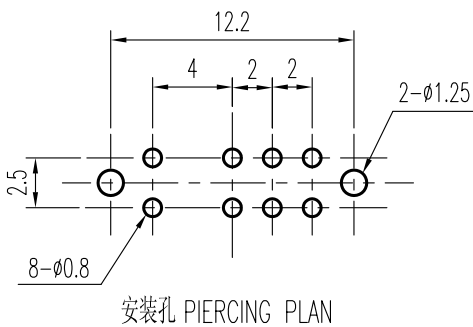
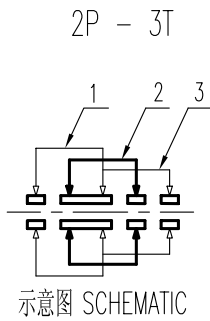
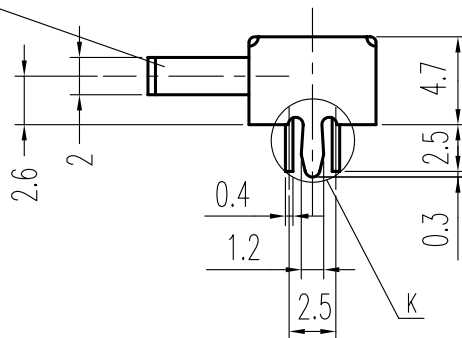
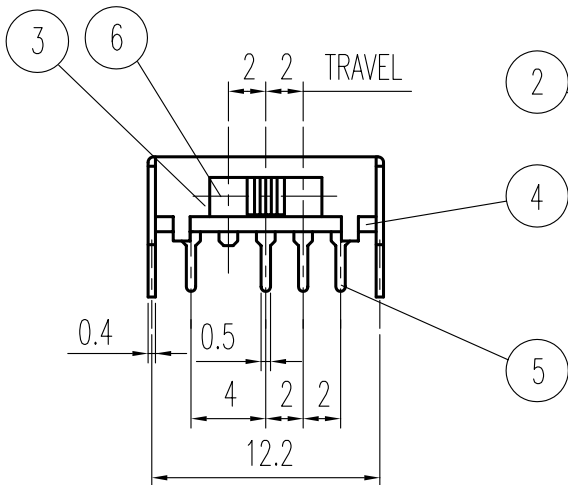


局部放大图 P 2 : 1



局部放大图 K 2.5 : 1



① 规格 Specifications

额定负荷 Ratings	DC 30 V 0.3 A
初期接触电阻 Initial Contact Resistance	30 mΩ Max.
绝缘电阻 Insulation Resistance	DC500 V 60 Sec. 100 MΩ Min.
抗电强度 Dielectric Voltage	AC 500 V (50~60HZ) 60 Sec.

操作力 Operating Force (gf)	A → B 200 ± 100	B → C 250 ± 100	C → B 200 ± 100	B → A 250 ± 100
负荷寿命 Operating Life With Load	10,000 Cycles			

①

6	弹片 SPRING PLATE	C5210R	1	NATURAL
5	端子 TERMINAL	C2680R	8	Ag PLATED
4	基板 TERMINAL BASE	PHENOL RESIN	1	YELLOW
3	接触片 CONTACT	C5210R	2	Ag CLAD
2	胶柄 KNOB	P O M	1	G 2 -7
1	铁壳 FRAME	S P C C	1	Sn PLATED

A01	ADD: 规格 Specifications	见 ①	刘红梅	06-06-09
01	修改材料规格栏	见 ①	赖立辉	4 OCT 01
标号 REV	内容 DESCRIPTION	签名 SIGN.	日期 DATE	

序NO.	零件 PART	材料 MATERIAL	数量 QTY	备注 REMARKS	DWG NO.	ITEM2034
------	---------	-------------	--------	------------	---------	----------

TOLERANCES UNLESS OTHERWISE SPEC.		TITLE	SIDE KNOB SLIDE SWITCH		ITEM NO	SK-23D09-G	
UNDER 1	± 0.10	DRAWN	刘红梅	06-06-09	VERSION	A01	PAGE 1 OF 1
1 - 10	± 0.30	REVIEWED	张念明	06-06-09	SCALE		UNIT mm
OVER 10	± 0.50	APPROVED	高洪	06-06-10	PROJECTION		

COMAX ELECTRONICS (HUIZHOU) CO.,LTD.