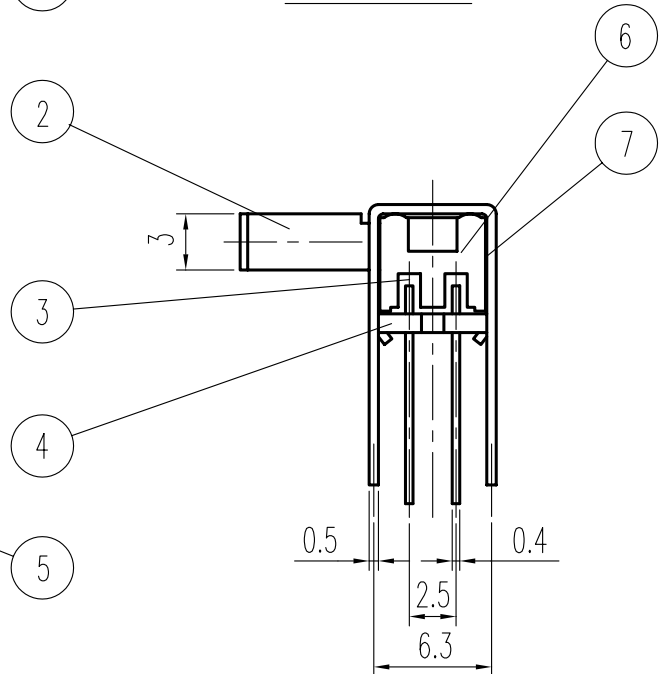
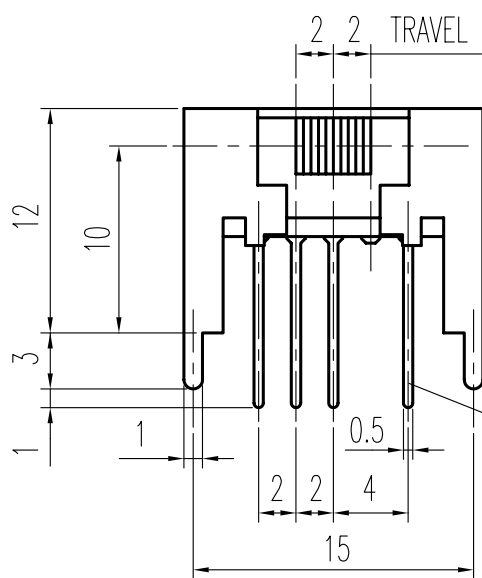


局部放大图 K 2.5 : 1



2P - 3T

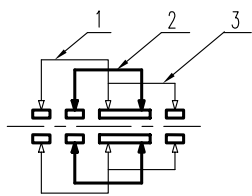
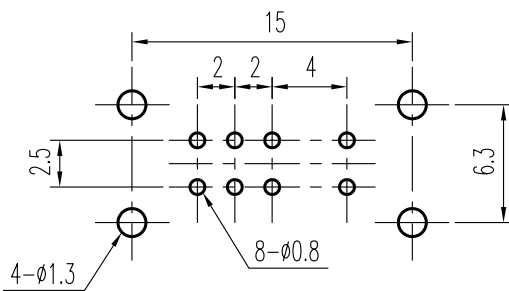


示意图 SCHEMATIC



安装孔 PIERCING PLAN

① 规格 Specifications

额定负荷 Ratings	DC 30 V 0.3 A
初期接触电阻 Initial Contact Resistance	30 mΩ Max.
绝缘电阻 Insulation Resistance	DC500 V 60 Sec. 100 MΩ Min.
抗电强度 Dielectric Voltage	AC 500 V (50~60HZ) 60 Sec.

操作力 Operating Force (gf)	A → B 200 ± 100	B → C 300 ± 150	C → B 200 ± 100	B → A 300 ± 150
负荷寿命 Operating Life With Load	10,000 Cycles			

序NO.	零件 PART	材料 MATERIAL	数量 QTY	备注 REMARKS
7	钢珠 STEEL BALL	STEEL	1	NATURAL
6	弹簧 SPRING	STEEL	1	NATURAL
5	端子 TERMINAL	C2680R	8	Ag PLATED
4	基板 TERMINAL BASE	PHENOL RESIN	1	YELLOW
3	接触片 CONTACT	C5210R	2	Ag CLAD
2	胶柄 KNOB	P O M	1	G 2 - 9
1	铁壳 FRAME	S P C C	1	Ni PLATED

A01	ADD: 规格 Specifications	见 ①	刘红梅	06-06-09
	修改材料规格栏	见 ①		
01			赖立辉	18 DEC 92
标号 REV	内容 DESCRIPTION	签名 SIGN.	日期 DATE	
DWG NO. ITEM0174				

TOLERANCES UNLESS OTHERWISE SPEC.		TITLE	SIDE KNOB SLIDE SWITCH		ITEM NO	SK-23D12-G	
UNDER 1	± 0.10	DRAWN	刘红梅	06-06-09	VERSION	A01	PAGE 1 OF 1
1 - 10	± 0.30	REVIEWED	张念明	06-06-09	SCALE		UNIT mm
OVER 10	± 0.50	APPROVED	高洪	06-06-10	PROJECTION		

COMAX ELECTRONICS (HUIZHOU) CO.,LTD.