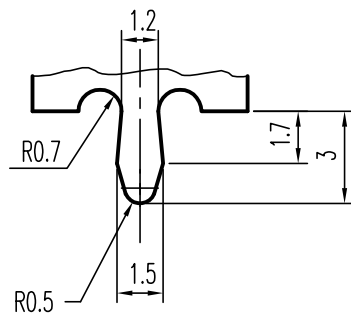
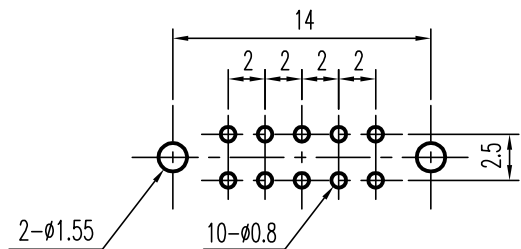


SCHEMATIC



K DETAIL 5 : 1



PIERCING PLAN

5	TERMINAL	C2680R-EH	10	Ag PLATED				
4	TERMINAL BASE	PHENOL RESIN	1	NATURAL				
3	CONTACT	C5210R-EH/Ag CLAD	2	NATURAL				
2	KNOB	P O M	1	G 2.5 - 10				
1	FRAME	S P C C	1	Sn PLATED	REV	DESCRIPTION	SIGN.	DATE
NO	PART	MATERIAL	QTY	REMARKS	VERSION 01	DNG NO. ITEM0584		

TOLERANCES UNLESS OTHERWISE SPEC.

UNDER 1	± 0.10
1 - 10	± 0.30
OVER 10	± 0.50

TITLE	SIDE KNOB SLIDE SWITCH	ITEM NO.	SK-23D28-G
DRAWN	L . F . L A I	29 APR 96	SCALE 3 : 1
APPROVED			UNIT mm
		PROJECTION	⊕ □

**COMAX** INDUSTRIAL CO., LTD.