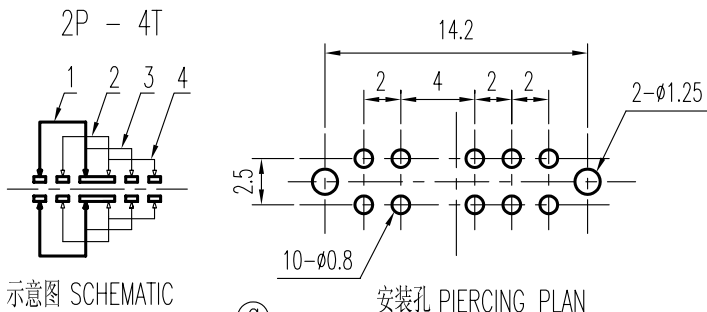
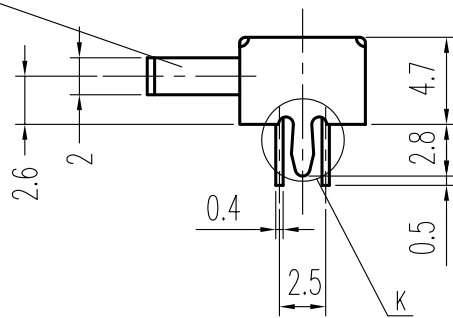
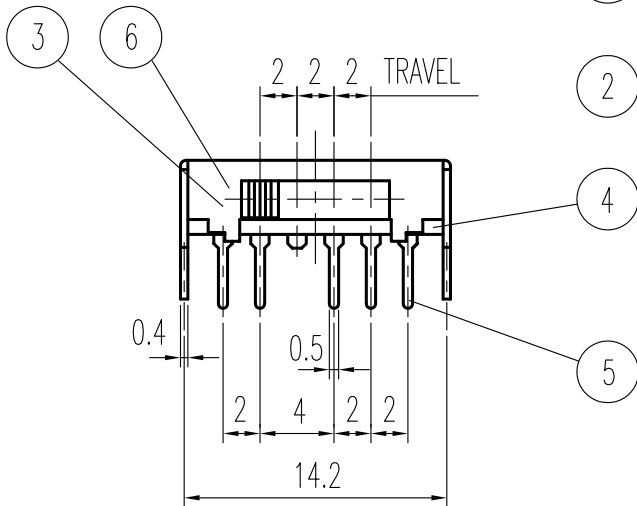


局部放大图 P 2.5 : 1

局部放大图 K 2.5 : 1



① 规格 Specifications

额定负荷 Ratings	DC 30 V 0.3 A
初期接触电阻 Initial Contact Resistance	30 mΩ Max.
绝缘电阻 Insulation Resistance	DC 500 V 60 Sec. 100 MΩ Min.
抗电强度 Dielectric	AC 500 V (50~60HZ) 60 Sec.

操作力 Operating Force (gf)	A → B	B → C	C → D
	D → C	C → B	B → A
负荷寿命 Operating Life With Load	250 ± 100	250 ± 100	250 ± 100

6	弹片 SPRING PLATE	C5210R	1	NATURAL
5	端子 TERMINAL	C2680R	10	Ag PLATED
4	基板 TERMINAL BASE	PHENOL RESIN	1	YELLOW
3	接触片 CONTACT	C5210R	2	Ag CLAD
2	胶柄 KNOB	P O M	1	G 2 -9
1	铁壳 FRAME	S P C C	1	Sn PLATED
序NO.	零件 PART	材料 MATERIAL	数量 QTY	备注 REMARKS

A01	ADD: 规格 Specifications	见 ①	刘红梅	06-06-07
01	修改材料规格栏	见 ①	赖立辉	2 OCT 99
标号 REV	内容 DESCRIPTION	签名 SIGN.	日期 DATE	
DWG NO. ITEM1670				

TOLERANCES UNLESS OTHERWISE SPEC.		TITLE	SIDE KNOB SLIDE SWITCH		ITEM NO	SK-24D07-G		
UNDER 1	± 0.10	DRAWN	刘红梅	06-06-07	VERSION	A01	PAGE 1	OF 1
1 - 10	± 0.30	REVIEWED	刘瑞富	06-06-07	SCALE		UNIT	mm
OVER 10	± 0.50	APPROVED	高洪	06-06-08	PROJECTION			

COMAX ELECTRONICS (HUIZHOU) CO.,LTD.