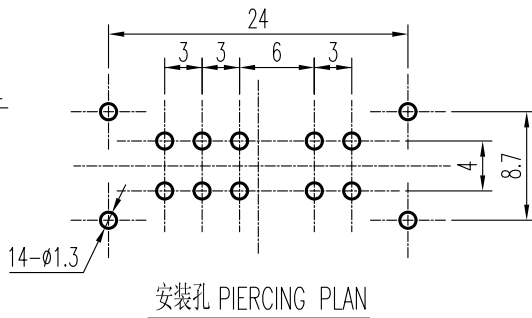
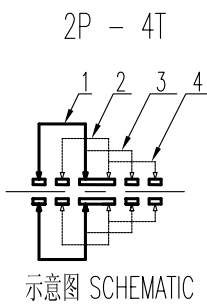
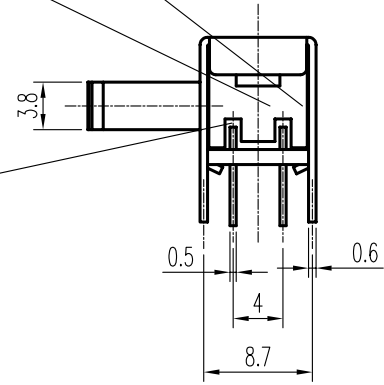
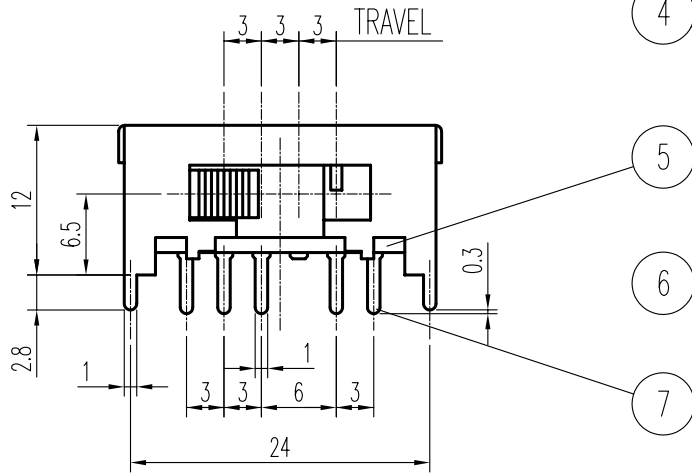


P DETAIL 3 : 1



Ⓐ 规格 Specifications

额定负荷 Ratings	DC 30 V 0.3 A
初期接触电阻 Initial Contact Resistance	30 mΩ Max.
绝缘电阻 Insulation Resistance	DC500 V 60 Sec. 100 MΩ Min.
抗电强度 Dielectric	AC 500 V (50~60HZ) 60 Sec.
操作力 Operating Force (gf)	A → B B → C C → D
	D → C C → B B → A
负荷寿命 Operating Life With Load	10,000 次 Cycles

Ⓐ

序NO.	零件 PART	材料 MATERIAL	数量 QTY	备注 REMARKS
7	端子 TERMINAL	C2680R	10	Ag PLATED
6	接触片 CONTACT	C5210R	2	Ag CLAD
5	基板 TERMINAL BASE	PHENOL RESIN	1	BLACK
4	弹簧 SPRING	STEEL	1	NATURAL
3	钢珠 STEEL BALL	STEEL	1	NATURAL
2	胶柄 KNOB	POM	1	G 4 -15
1	铁壳 FRAME	SPCC	1	Ni PLATED

A01	修改零件列表见 Ⓐ	曹文斌	06-04-08
01	增加规格栏见 Ⓐ	赖立辉	10 MAY 92
标号 REV	内容 DESCRIPTION	签名 SIGN.	日期 DATE

TOLERANCES UNLESS OTHERWISE SPEC.		TITLE	SIDE KNOB SLIDE SWITCH	ITEM NO	SK-24F01-G		
UNDER 1	± 0.10	DRAWN	曹文斌	06-04-08	VERSION	A01	PAGE 1 OF 1
1 - 10	± 0.30	REVIEWED	张念明	06-04-10	SCALE		UNIT mm
OVER 10	± 0.50	APPROVED	林高全	06-04-10	PROJECTION		

COMAX ELECTRONICS (HUIZHOU) CO.,LTD.