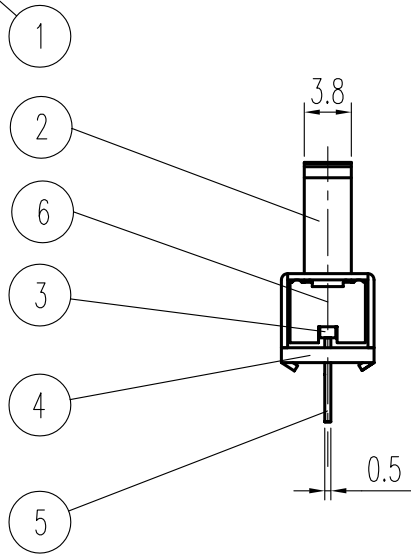
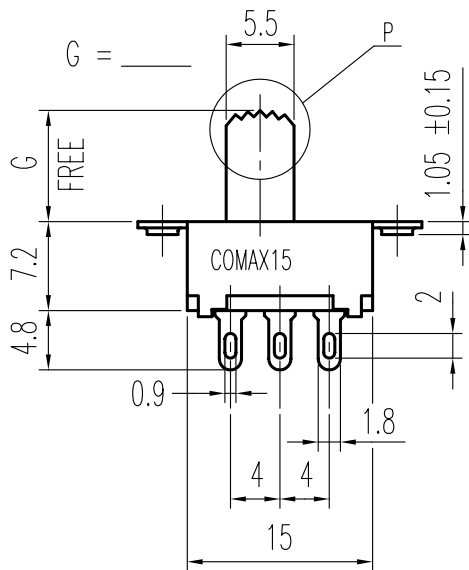


P DETAIL 2 : 1



1P -2T

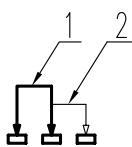


示意图 SCHEMATIC

◎ 规格 Specifications

额定负荷 Ratings	DC 30_V_0.3_A
初期接触电阻 Initial Contact Resistance	30_mΩ Max.
绝缘电阻 Insulation Resistance	DC 500_V 60_Sec. 100_MΩ Min.
抗电强度 Dielectric Voltage	AC 500_V (50~60HZ) 60_Sec.

操作力 Operating Force (gf)	A → B
	250 ± 100
负荷寿命 Operating Life With Load	10,000 次 Cycles

6	弹簧 SPRING	STEEL	1	NATURAL
5	端子 TERMINAL	C2680R ◎	3	Ag PLATED
4	基板 TERMINAL BASE	PHENOL RESIN	1	BLACK
3	接触片 CONTACT	COPPER WIRE	1	Ag PLATED
2	胶柄 KNOB	POM	1	G 2 - 15
1	铁壳 FRAME	SPCC	1	Ni PLATED OR BLACKENED
序NO.	零件 PART	材料 MATERIAL	数量 QTY	备注 REMARKS

A01	ADD: 规格 Specifications 见◎	王光云	06-06-17
01	C2680R-EH → C2680R 见◎	赖立辉	5 MAY 01
标号 REV	内容 DESCRIPTION	签名 SIGN.	日期 DATE
DWG NO. ITEM1894			

TOLERANCES UNLESS OTHERWISE SPEC.		TITLE	SLIDE SWITCH		ITEM NO	SS-12F72-G		
UNDER 1	± 0.10	DRAWN	王光云	06-06-17	VERSION	A01	PAGE	1 OF 1
1 - 10	± 0.30	REVIEWED	张念明	06-06-17	SCALE		UNIT	mm
OVER 10	± 0.50	APPROVED	高洪	06-06-17	PROJECTION			

**COMAX** ELECTRONICS (HUIZHOU) CO.,LTD.