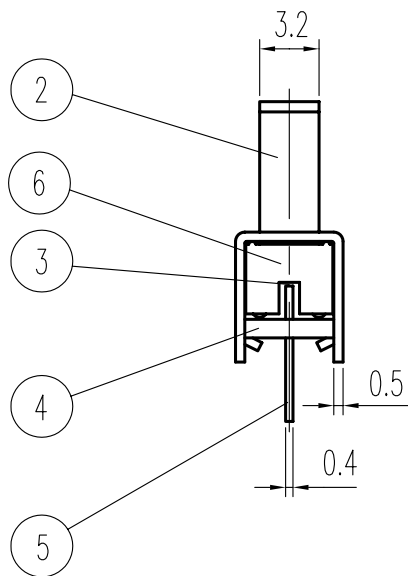
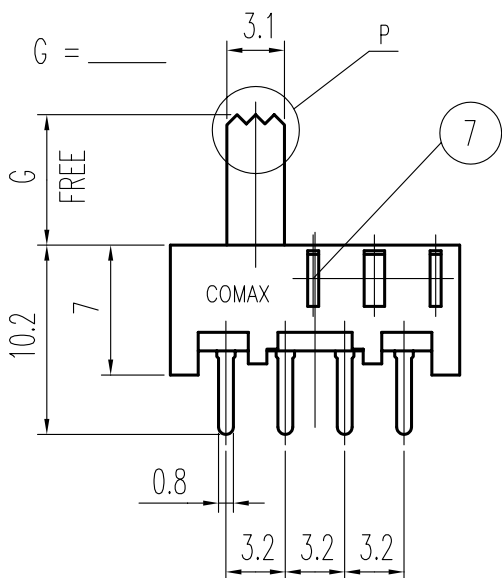


P DETAIL 2 : 1



1P - 3T

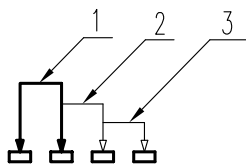
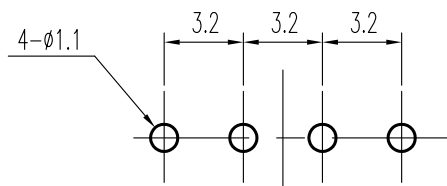


示意图 SCHEMATIC



安装孔 PIERCING PLAN

◎规格 Specifications

额定负荷 Ratings	DC 30_V_0.3_A
初期接触电阻 Initial Contact Resistance	30 mΩ Max.
绝缘电阻 Insulation Resistance	DC 500_V_60_Sec. 100_MΩ Min.
抗电强度 Dielectric Voltage	AC 500_V (50~60HZ) .60_Sec.

操作力 Operating Force (gf)	A → B	B → C
	C → B	B → A
负荷寿命 Operating Life With Load	150±75	250±100

序 NO.	零件 PART	材料 MATERIAL	数量 QTY	备注 REMARKS
7	钢珠 STEEL BALL	SUS	1	NATURAL
6	弹簧 SPRING	STEEL	1	NATURAL
5	端子 TERMINAL	C2680R◎	4	Ag PLATED
4	基板 TERMINAL BASE	PHENOL RESIN	1	YELLOW
3	接触片 CONTACT	C5210R◎	1	Ag CLAD
2	胶柄 KNOB	P O M	1	G 2 - 11
1	铁壳 FRAME	S P C C	1	Ni PLATED

A01	ADD: 规格 Specifications 见 ◎	王光云	06-06-16
	C2680R-EH → C2680R 见 ◎		
	C5210R-EH/Ag CLAD → C5210R 见 ◎		
01		孙斌	21 JUN 02
标号 REV	内容 DESCRIPTION	签名 SIGN.	日期 DATE

DWG NO. ITEM0173

TOLERANCES UNLESS OTHERWISE SPEC.		TITLE	SLIDE SWITCH		ITEM NO	SS-13F24-G	
UNDER 1	± 0.10	DRAWN	王光云	06-06-16	VERSION	A01	PAGE 1 OF 1
1 - 10	± 0.30	REVIEWED	张念明	06-06-16	SCALE		UNIT mm
OVER 10	± 0.50	APPROVED	高洪	06-06-17	PROJECTION		

COMAX ELECTRONICS (HUIZHOU) CO.,LTD.