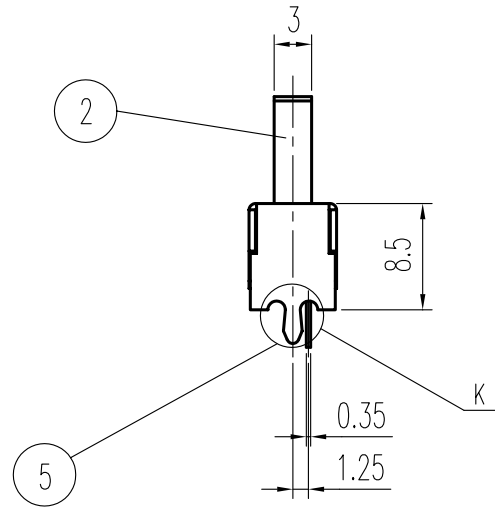
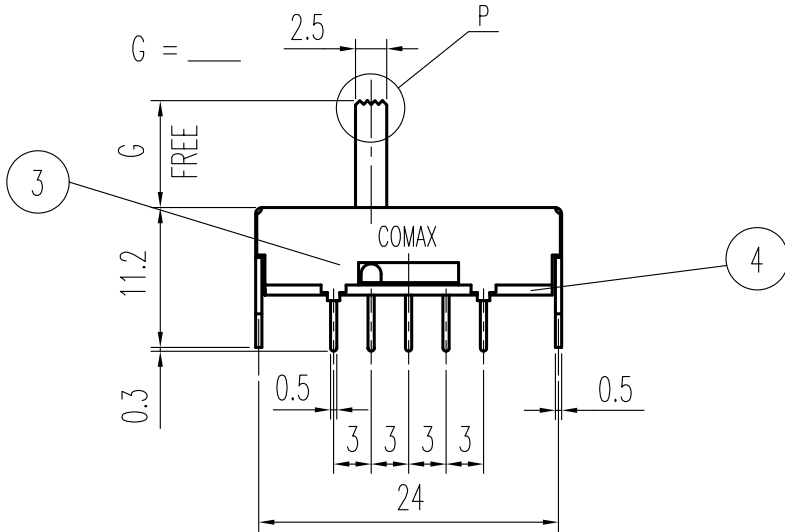


K DETAIL 3 : 1

P DETAIL 3 : 1



1P - 3T

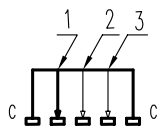
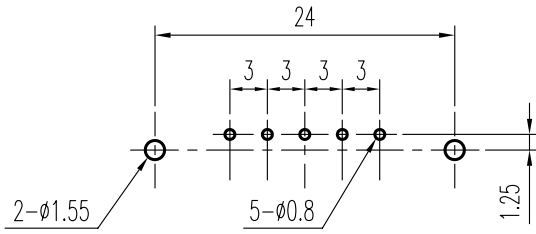


示意图 SCHEMATIC



安装孔 PIERCING PLAN

规格 Specifications

额定负荷 Ratings	DC 30 V 0.3 A
初期接触电阻 Initial Contact Resistance	30 mΩ Max.
绝缘电阻 Insulation Resistance	DC 500 V 60 Sec. 100 MΩ Min.
抗电强度 Dielectric	AC 500 V (50~60HZ) 60 Sec.

操作力 Operating Force (gf)	A → B	B → C
	C → B	B → A
负荷寿命 Operating Life With Load	180±50	220±100

6	弹片 SPRING PLATE	SUS	1	NATURAL
5	端子 TERMINAL	C2680R [Ⓞ]	5	Ag PLATED
4	基板 TERMINAL BASE	PHENOL RESIN	1	YELLOW
3	接触片 CONTACT	C5210R [Ⓞ]	1	Ag CLAD
2	胶柄 KNOB	P O M	1	G 2 - 9
1	铁壳 FRAME	S P C C	1	Sn PLATED
序NO.	零件 PART	材料 MATERIAL	数量 QTY	备注 REMARKS

A01	ADD: 规格 Specifications 见 [Ⓞ]	王光云	06-05-30
	C2680R-EH → C2680R 见 [Ⓞ]		
	C5210R-EH/Ag CLAD → C5210R 见 [Ⓞ]		
01		赖立辉	16 SEP 95
标号 REV	内容 DESCRIPTION	签名 SIGN.	日期 DATE

DWG NO. ITEM0191	
TOLERANCES UNLESS OTHERWISE SPEC.	TITLE SLIDE SWITCH
ITEM NO SS-13F28-G	VERSION A01
UNDER 1 ± 0.10	DRAWN 王光云 06-05-30
1 - 10 ± 0.30	REVIEWED 张念明 06-05-30
OVER 10 ± 0.50	APPROVED 林高全 06-05-30
PAGE 1 OF 1	SCALE
UNIT mm	PROJECTION

COMAX ELECTRONICS (HUIZHOU) CO.,LTD.