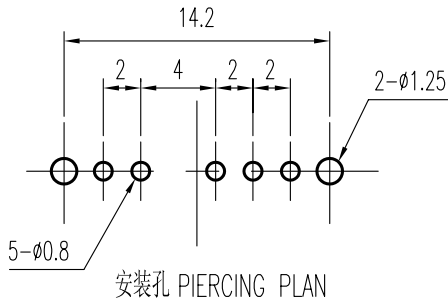
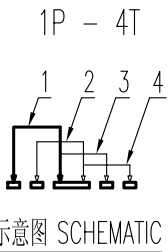
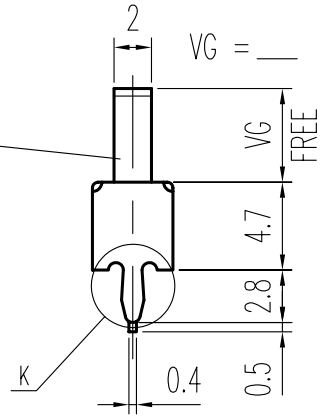
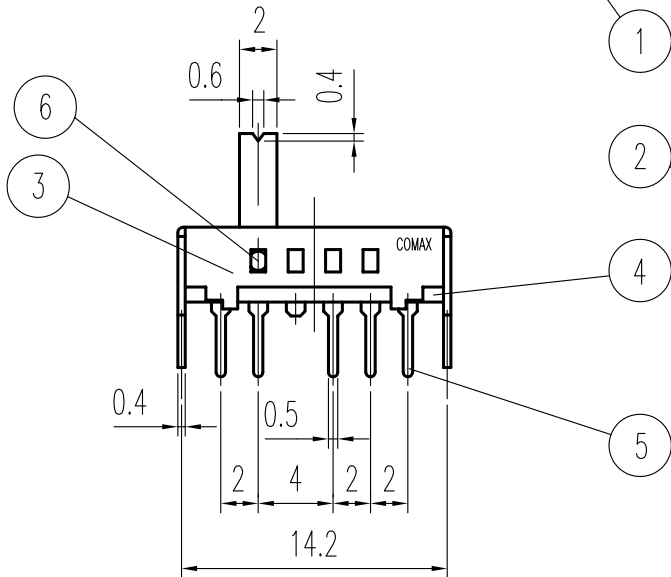


K DETAIL 2 : 1



规格 Specifications

额定负荷 Ratings	DC 30 V 0.3 A
初期接触电阻 Initial Contact Resistance	30 mΩ Max.
绝缘电阻 Insulation Resistance	DC500 V 60 Sec. 100 MΩ Min.
抗电强度 Dielectric	AC 500 V (50~60HZ) 60 Sec.
操作力 Operating Force (gf)	A → B B → C C → D
	D → C C → B B → A
操作力 Operating Force (gf)	200 ± 100 200 ± 100 200 ± 100
负荷寿命 Operating Life With Load	10,000 次 Cycles

6	弹片 SPRING	C5210R	1	NATURAL
5	端子 TERMINAL	C2680R	5	Ag PLATED
4	基板 TERMINAL BASE	PHENOL RESIN	1	YELLOW
3	接触片 CONTACT	C5210R	1	Ag CLAD
2	胶柄 KNOB	P O M	1	VG 2 - 8
1	铁壳 FRAME	S P C C	1	Sn PLATED
序NO.	零件 PART	材料 MATERIAL	数量 QTY	备注 REMARKS

A02	接触阻抗 → 初期接触电阻 见(c)	王光云	06-04-24
A01	C2680R-H → C2680R 见(b)	王光荣	06-03-04
	C5210R-EH/Ag CLAD → C5210R 见(b)		
02	VG 2 - 6 → VG 2 - 8	张渠江	20 NOV 04
标号 REV	内容 DESCRIPTION	签名 SIGN.	日期 DATE

DWG NO. ITEM1293

TOLERANCES UNLESS OTHERWISE SPEC.		TITLE	SLIDE SWITCH		ITEM NO	SS-14D07-VG	
UNDER 1	± 0.10	DRAWN	王光云	06-04-24	VERSION	A02	PAGE 1 OF 1
1 - 10	± 0.30	REVIEWED	张念明	06-04-24	SCALE		UNIT mm
OVER 10	± 0.50	APPROVED	林高全	06-04-24	PROJECTION		

COMAX ELECTRONICS (HUIZHOU) CO.,LTD.