

P位放大图 4:1

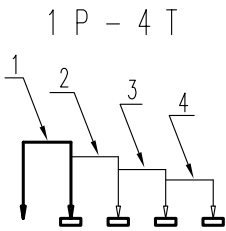
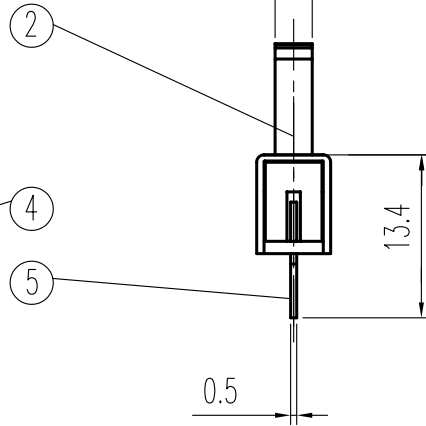
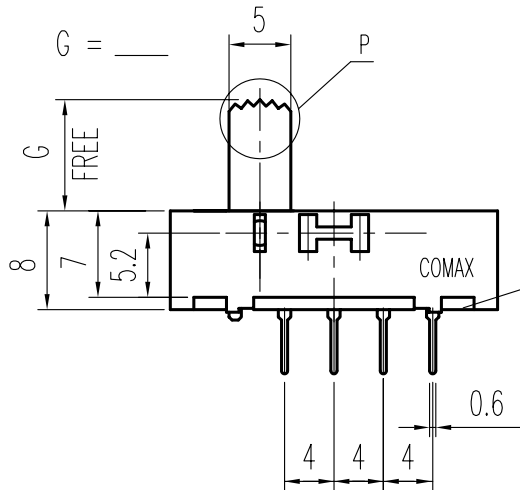
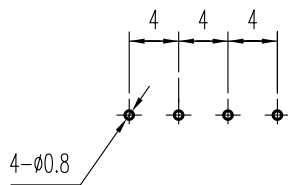


示意图 SCHEMATIC



安装孔 PIERCING PLAN

规格 Specifications

额定负荷 Ratings	DC 30 V 0.3 A
接触电阻 Contact Resistance	30 mΩ Max.
绝缘电阻 Insulation Resistance	DC 500V 60 Sec 100 MΩ Min.
抗电强度 Dielectric	AC 500 V (50~60HZ) 60 Sec.

操作力 gf	A → B B → C C → D
Operating Force gf	D → C C → B B → A
机械寿命	250 ± 100 300 ± 100 400 ± 100
Operating Life Without Load	10,000 次 Cycles

5	端子	TERMINAL	C2680R	4	Ag PLATED				
4	基板	TERMINAL BASE	PHENOL RESIN	1	BLACK				
3	接触片	CONTACT	C5210R	1	NATURAL				
2	胶柄	KNOB	P O M	1	G 2 - 7				
1	铁壳	FRAME	S P C C	1	Ni PLATED	标号 REV	内容 DESCRIPTION	签名 SIGN.	日期 DATE
序NO.	零件 PART	材料 MATERIAL	数量 QTY	备注 REMARKS	DWG NO. ITEM2587				

TOLERANCES UNLESS OTHERWISE SPEC.		TITLE	SLIDE SWITCH		ITEM NO	SS-14H08-G			
UNDER 1	± 0.10	DRAWN	王光荣	05-12-13	VERSION	A01	PAGE 1 OF 1		
1 - 10	± 0.30	REVIEWED	张念明	05-12-13	SCALE	2 : 1	UNIT	mm	
OVER 10	± 0.50	APPROVED	高洪	05-12-13	PROJECTION				

COMAX ELECTRONICS (HUIZHOU) CO.,LTD.