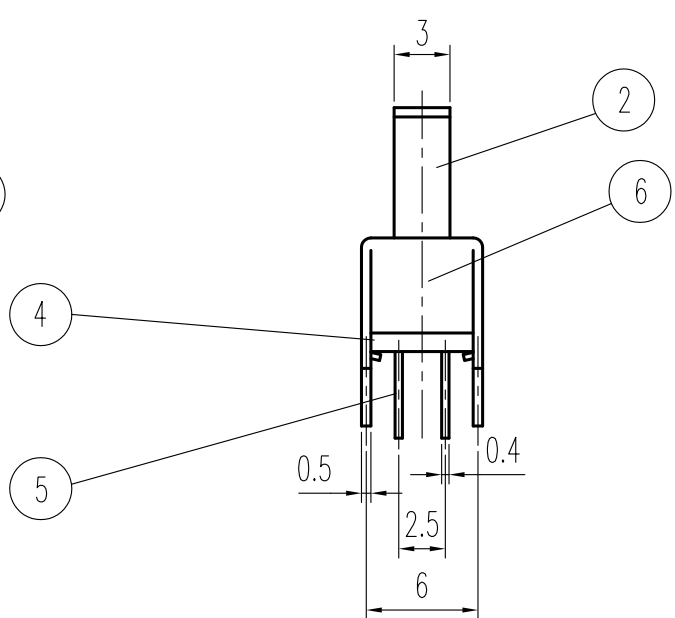
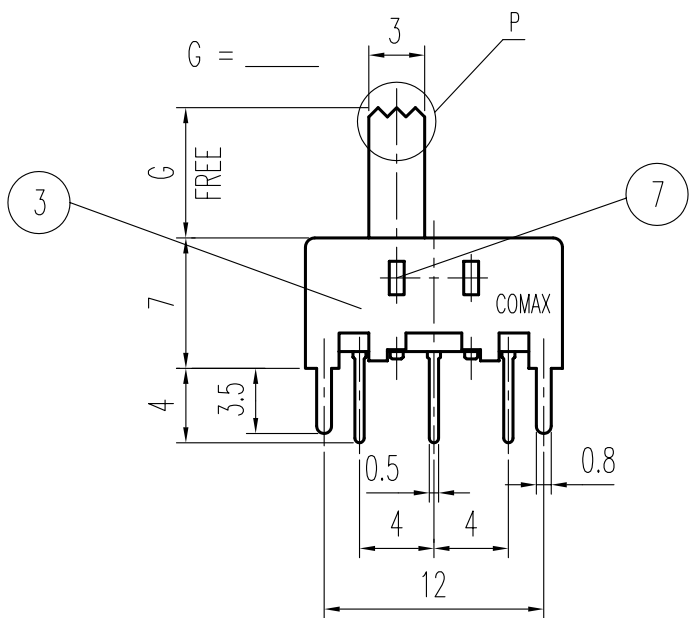


1



2P - 2T

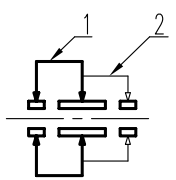
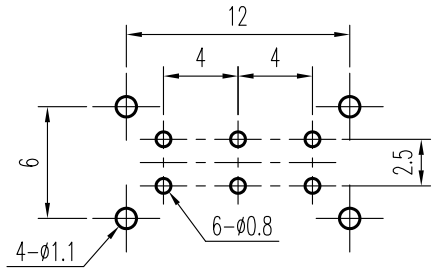


示意图 SCHEMATIC



安装孔 PIERCING PLAN

规格 Specifications

额定负荷 Ratings	DC 30 V 0.3 A
初期接触电阻 Initial Contact Resistance	30 mΩ Max.
绝缘电阻 Insulation Resistance	DC 500 V 60 Sec. 100 MΩ Min.
抗电强度 Dielectric	AC 500 V (50~60HZ) 60 Sec.

操作力 Operating Force (gf)	A ↔ B
	250 ± 100
负荷寿命 Operating Life With Load	10,000 次 Cycles

7	钢珠	STEEL BALL	STEEL	2	NATURAL
6	弹簧	SPRING	STEEL	1	NATURAL
5	端子	TERMINAL	C2680R ①	6	Ag PLATED
4	基板	TERMINAL BASE	PHENOL RESIN	1	YELLOW
3	接触片	CONTACT	C5210R ②	2	Ag CLAD
2	胶柄	KNOB	P O M	1	G 2 - 10
1	铁壳	FRAME	S P C C	1	Sn PLATED
序NO.	零件 PART	材料 MATERIAL	数量 QTY	备注 REMARKS	

A01	ADD: 规格 Specifications 见 ①	王光云	06-05-25
	C2680R-EH → C2680R 见 ②		
	C5210R-EH/Ag CLAD → C5210R 见 ③		
01		赖立辉	7 DEC 98
标号 REV	内容 DESCRIPTION	签名 SIGN.	日期 DATE

TOLERANCES UNLESS OTHERWISE SPEC.		TITLE	SLIDE SWITCH		ITEM NO	SS-22H15-G		
UNDER 1	± 0.10	DRAWN	王光云	06-05-25	VERSION	A01	PAGE 1	OF 1
1 - 10	± 0.30	REVIEWED	张念明	06-05-25	SCALE		UNIT	mm
OVER 10	± 0.50	APPROVED	林高全	06-05-26	PROJECTION			

**COMAX** ELECTRONICS (HUIZHOU) CO.,LTD.